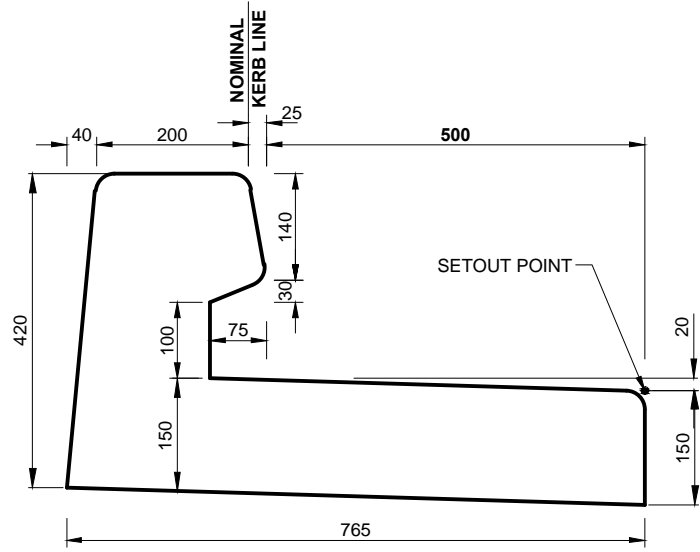
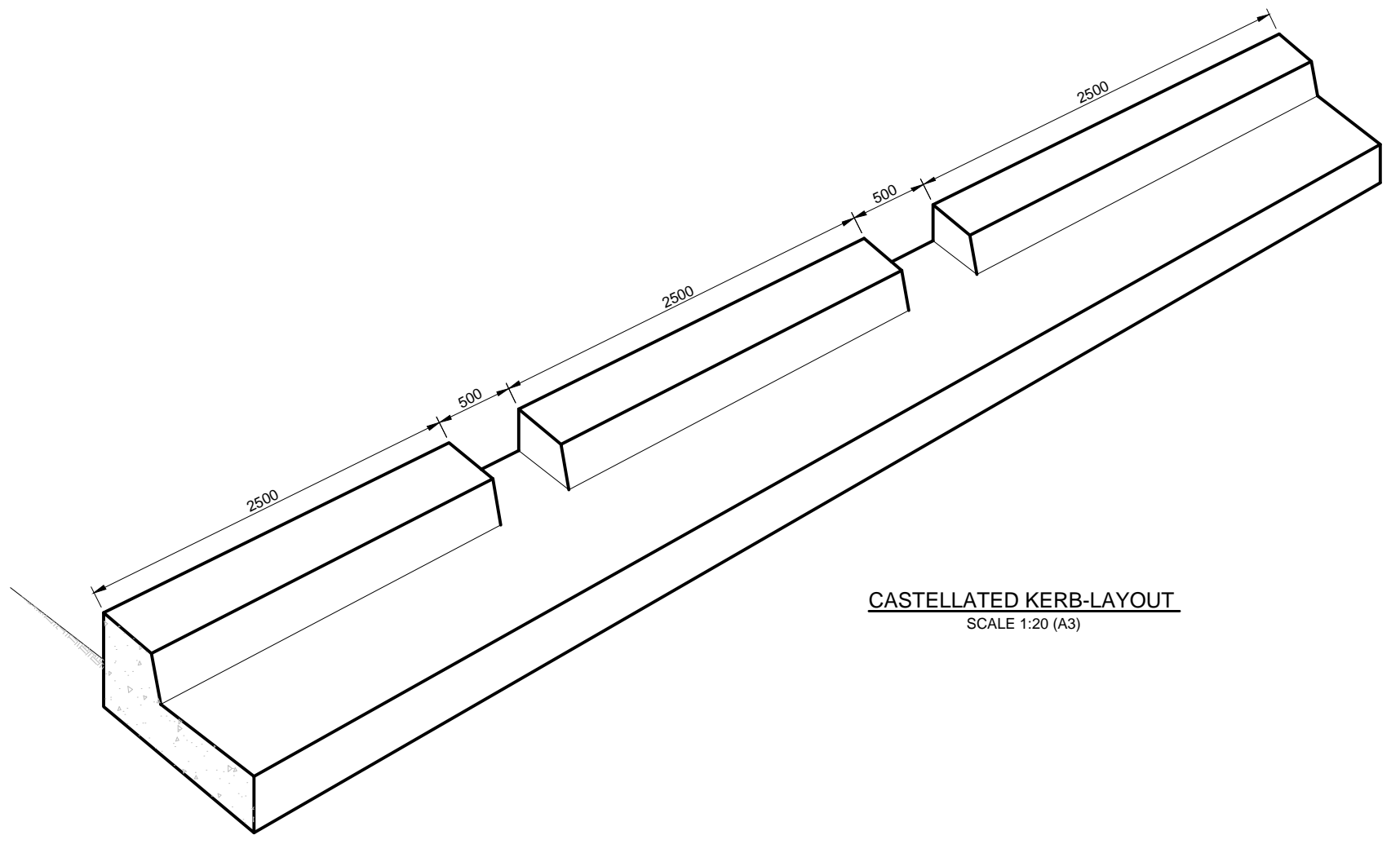


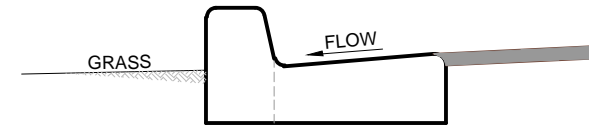
'ELSHOLZ' - REDIRECTIVE KERB AND GUTTER
SCALE 1:10 (A3)



**'ELSHOLZ' - REDIRECTIVE KERB AND GUTTER
(WITH REVERSE CROSSFALL)**
SCALE 1:10 (A3)



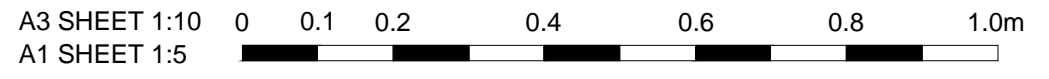
CASTELLATED KERB-LAYOUT
SCALE 1:20 (A3)



CASTELLATED KERB-SECTION
SCALE 1:10 (A3)

NOTE: TO BE USED IN CONJUNCTION WITH WATER SENSITIVE URBAN DESIGN

- NOTES:
 1. CONCRETE TO BE READY MIXED KERB MIX, 20MPa TO AS1379
 2. TOOL GROOVE CONTRACTION JOINTS 20mm DEEP, 5mm WIDE, EVERY 3m
 3. 15mm WIDE BITUMINOUS FIBREBOARD EXPANSION JOINT AT 15m CENTRES



0	10	20	30	40	50	100	150	200	250
---	----	----	----	----	----	-----	-----	-----	-----



DESIGN UNIT
 COUNCIL OFFICES
 TUMBULGUM ROAD,
 MURWILLUMBAH,
 NEW SOUTH WALES 2484
 PHONE 02 6670 2400
 FAX 02 6672 7513
 WEBSITE www.tweed.nsw.gov.au

DESIGN ENGINEER	<i>[Signature]</i> DATE 28.08.14
DESIGN MANAGER	<i>[Signature]</i> DATE 28.08.14
DRAWN	ENGINEERING & OPERATIONS DESIGN UNIT
SCALE	

PROJECT:	ROAD WORKS STANDARDS
PLAN TITLE:	STANDARD KERB DETAILS (SHEET 1 of 2 SHEETS)

DRAWING NUMBER:	S.D.008
	AUG 2014

ACAD FILE No G:TSC STANDARD DRAWINGS/ROADWORKS STANDARDS/S.D.008 (Aug-14 Rev C)