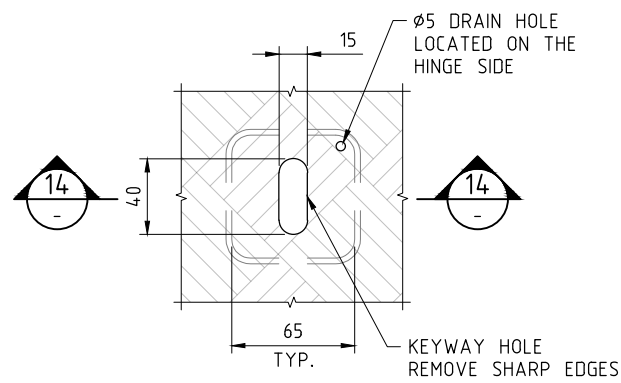


DETAIL C
5 & 8

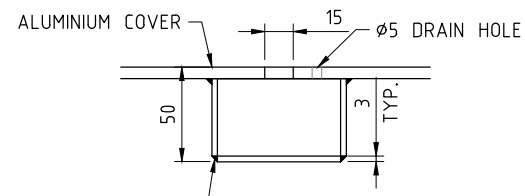
REFER NOTE 2

ALUMINIUM BULLET HINGE DIMENSIONS

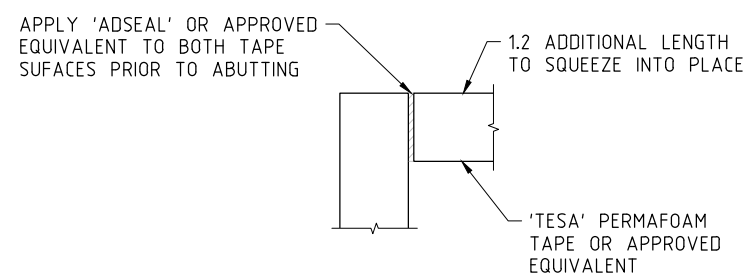
A (mm)	B (mm)	C (mm)	D (mm)	R (mm)	L (mm)
120	59	20	16	2	60
150	74	25	20	2	75



DETAIL B
5 & 8

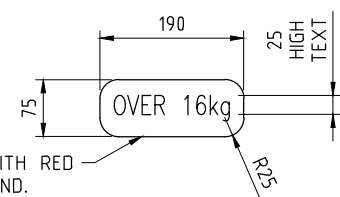


SECTION 14

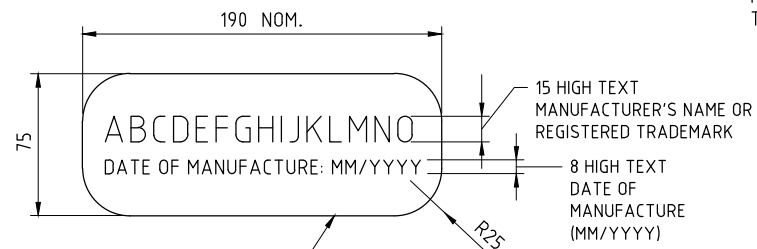


TYPICAL SEALING TAPE CORNER DETAIL
REFER NOTE 3

ALUMINIUM SHEET 3mm THICK WITH RED LETTERING ON WHITE BACKGROUND. LETTERING TO BE ENGRAVED TO A MINIMUM OF 1mm DEPTH INTO PLATE

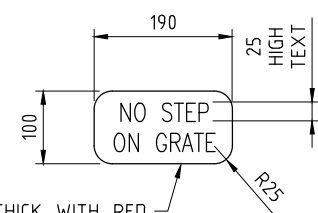


DETAIL D
5 & 8



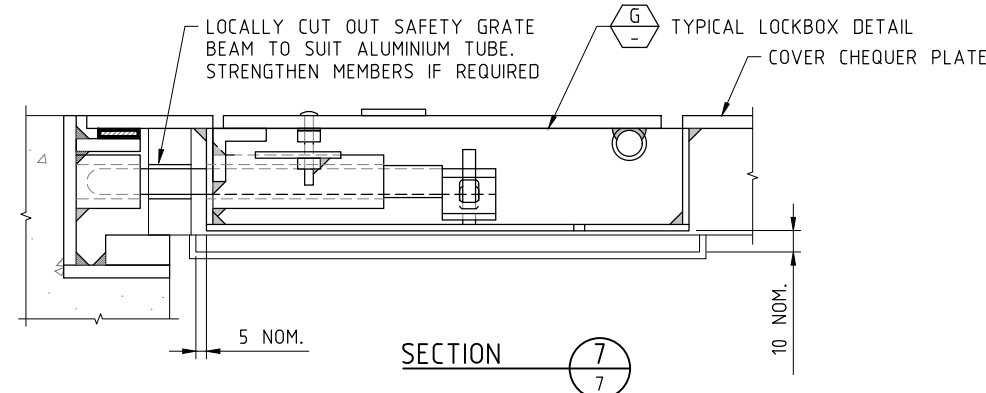
ALUMINIUM SHEET 3mm THICK LETTERING TO BE ENGRAVED TO A MINIMUM OF 1mm DEPTH INTO PLATE

DETAIL E
6 & 9

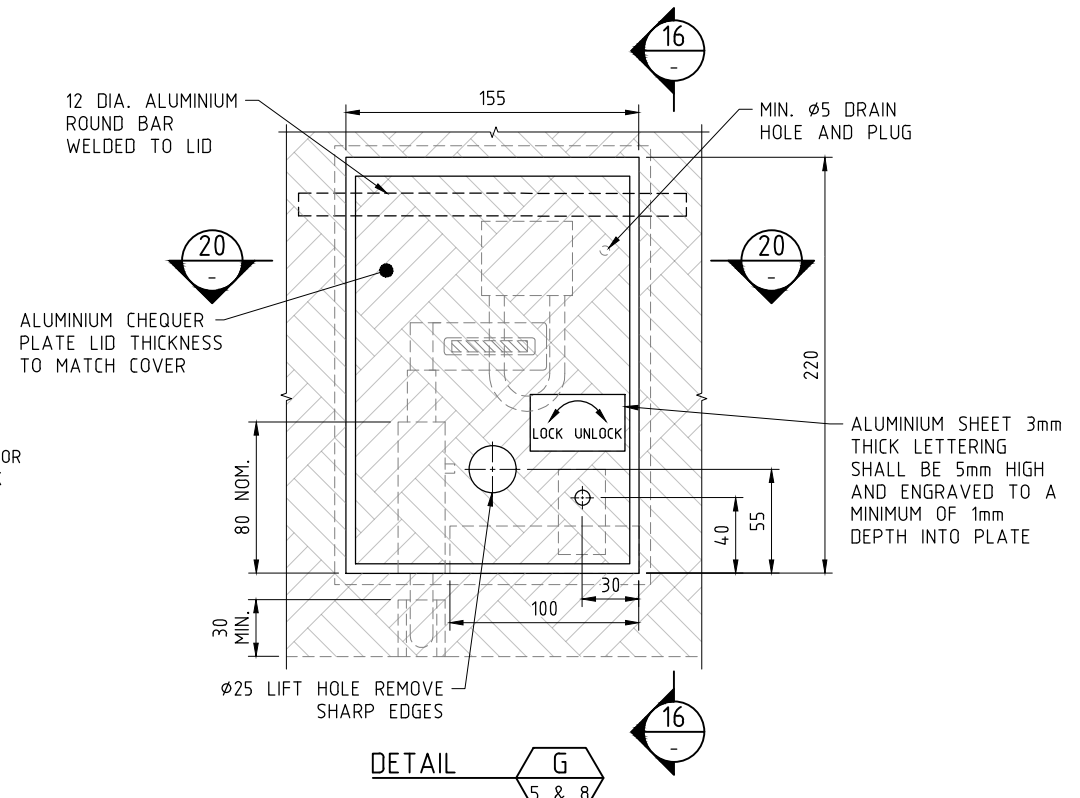


DETAIL V
7

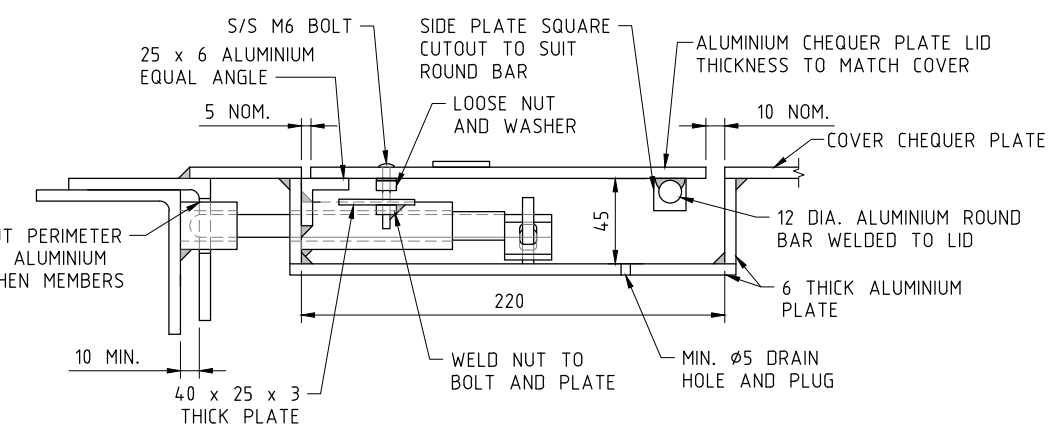
ALUMINIUM SHEET 3mm THICK WITH RED LETTERING ON WHITE BACKGROUND. LETTERING TO BE ENGRAVED TO A MINIMUM OF 1mm DEPTH INTO PLATE



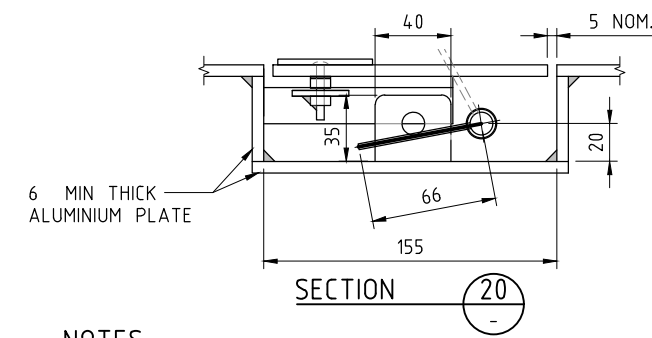
SECTION 7



DETAIL G
5 & 8



SECTION 16



SECTION 20

NOTES

- REFER DRG NO. S.D.221-01 FOR GENERAL AND MATERIAL NOTES.
- BULLET HINGE DIMENSIONS ARE INDICATIVE ONLY. COVER MANUFACTURER TO DETERMINE THE HINGE SIZE TO SUIT.
- WIPE SURFACE WITH A CLEAN, LINT-FREE, DRY CLOTH TO ENSURE ABSENCE OF GREASE, DIRT AND MOISTURE PRIOR TO APPLICATION OF TAPE.

SHEET No. 11

DRAWING NUMBER:
S.D.221-11

JUNE 2022

DESIGN UNIT

COUNCIL OFFICES
TUMBULGUM ROAD,
MURWILLUMBAH,
NEW SOUTH WALES 2484

PHONE 02 6670 2400
EMAIL tsc@tweed.nsw.gov.au
WEBSITE www.tweed.nsw.gov.au

DESIGN ENGINEER	<i>Alan</i>	DATE JUNE 2022
W & WW MANAGER	<i>Anthony Bonham</i>	DATE JUNE 2022
DRAWN	INFRASTRUCTURE DELIVERY UNIT - DESIGN	
SCALE	NOT TO SCALE	

PROJECT:	SEWERAGE WORKS STANDARDS
DRAWING TITLE:	MISCELLANEOUS DETAILS - 1 OF 2

ACAD FILE No: G:_AAA TSC STANDARD DRAWINGS\200 SEWERAGE WORKS\DRIFTS-DONT USE\S.D.221-11 (July-22 Rev B).dwg

