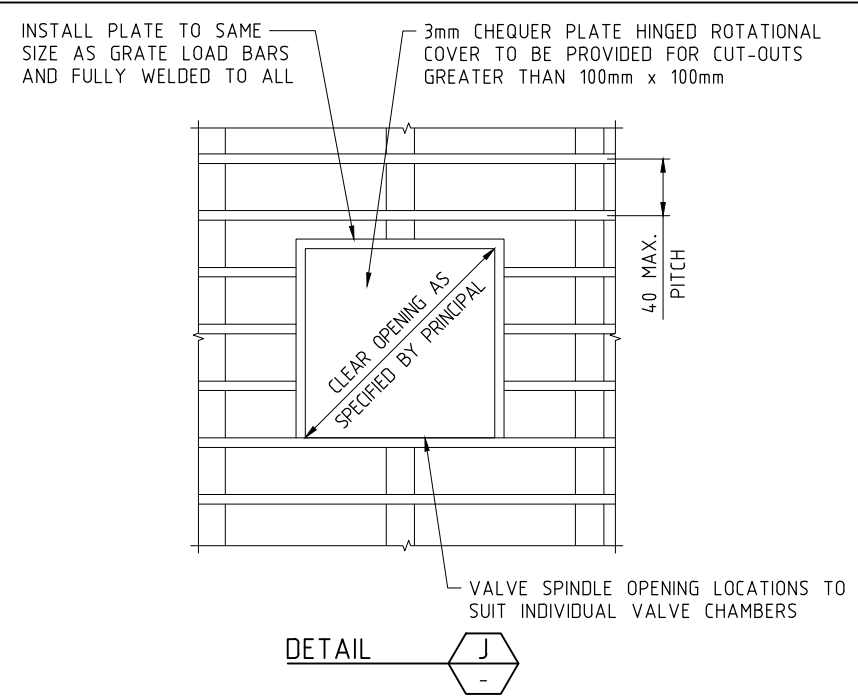
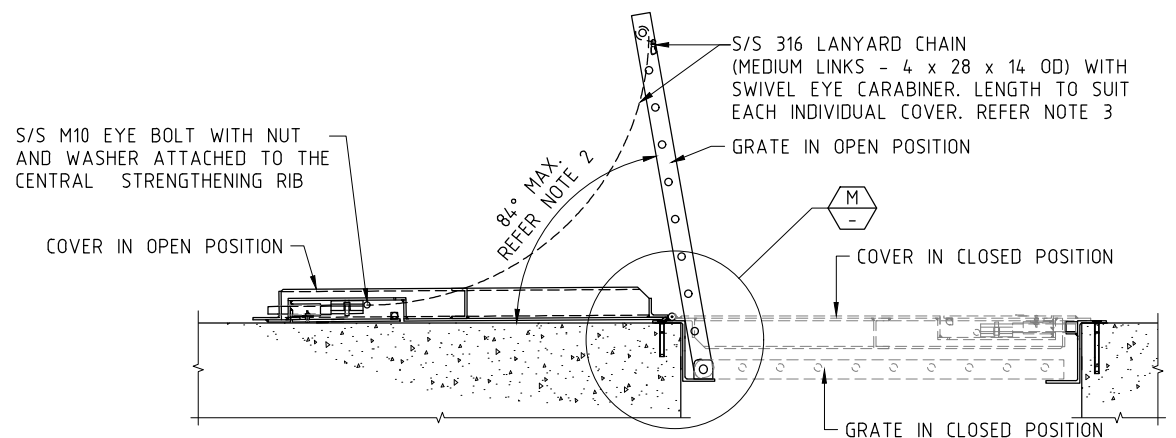


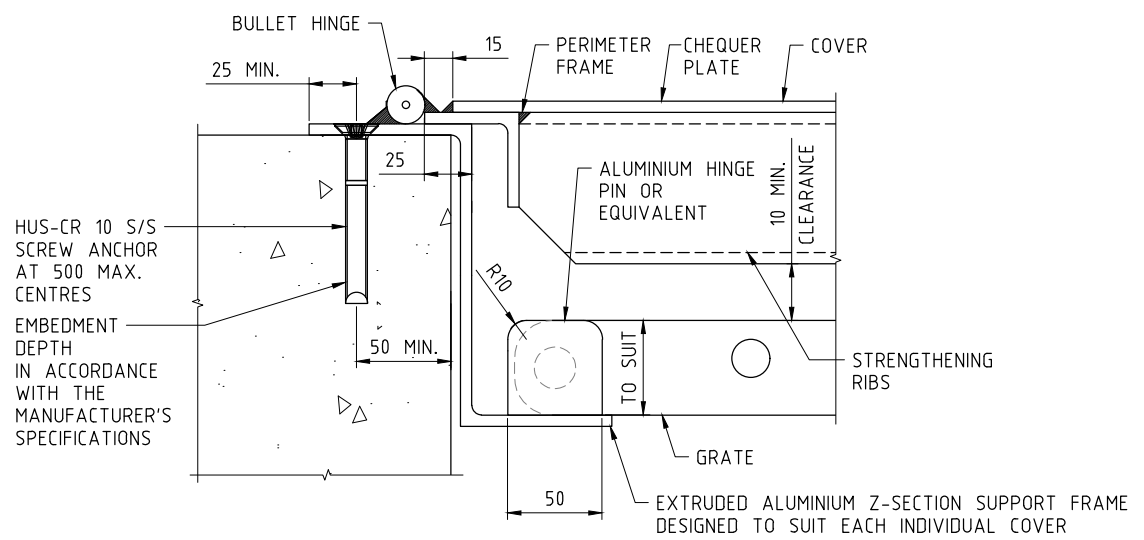
TYPICAL OPEN ACCESS COVER - PLAN



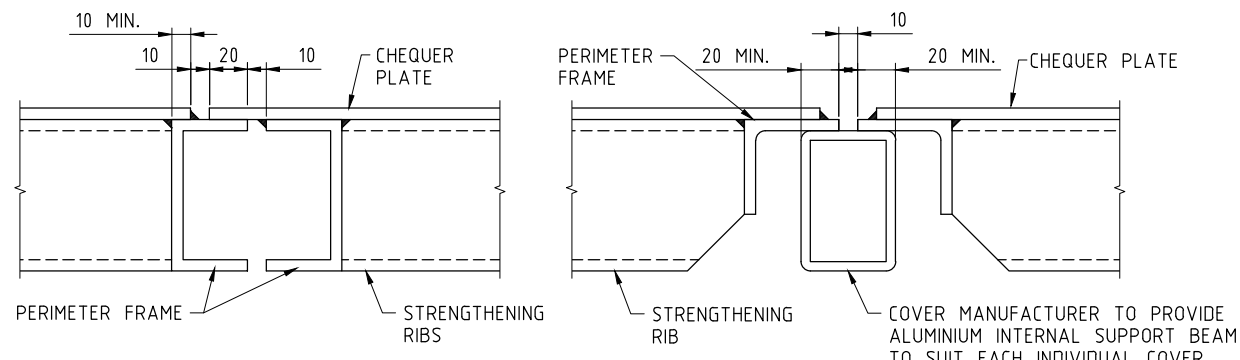
DETAIL J



SECTION 8

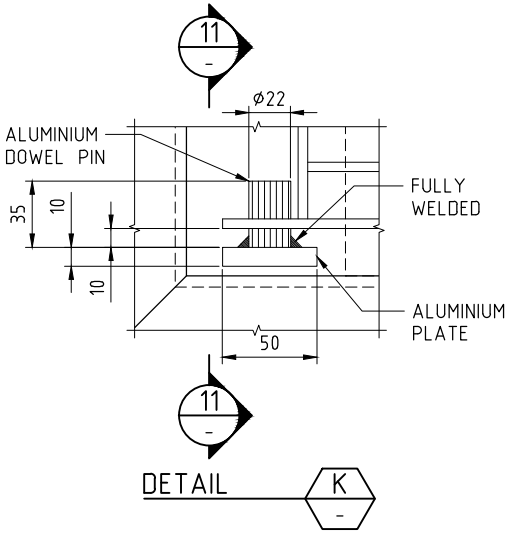


DETAIL M (COVER & GRATE IN CLOSED POSITION)

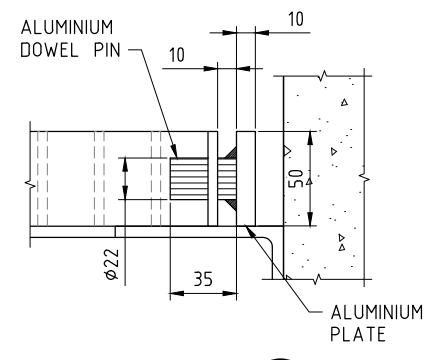


SECTION 9 (GRATE NOT SHOWN)

SECTION 10 (GRATE NOT SHOWN)



DETAIL K



SECTION 11

- NOTES**
- REFER DRG S.D.221-01 FOR GENERAL AND MATERIAL NOTES.
  - GRATES SHALL BE DESIGNED TO ALLOW THE GRATE TO OPEN AT LEAST 6° PAST THE VERTICAL.
  - GRATES SHALL OPEN IN THE SAME DIRECTION AS THE COVER AND SHALL BE SECURED TO THE COVER BY A STAINLESS STEEL LANYARD WITH SWIVEL EYE CARABINER; THE LANYARD SHALL BE ATTACHED TO THE COVER'S CENTRAL STRENGTHENING RIB.

SHEET No. 9

DRAWING NUMBER: S.D.221-09

JUNE 2022

B	SECTION 10 AMENDED AND GENERAL REVISION	CAH	07.22
A	ORIGINAL ISSUE	CAH	06.22
ISSUE	AMENDMENT DETAILS	INITIALS	DATE



**DESIGN UNIT**  
 COUNCIL OFFICES  
 TUMBULGUM ROAD,  
 MURWILLUMBAH,  
 NEW SOUTH WALES 2484  
 PHONE 02 6670 2400  
 EMAIL tsc@tweed.nsw.gov.au  
 WEBSITE www.tweed.nsw.gov.au

DESIGN ENGINEER	<i>Alan</i>	DATE	JUNE 2022
W & WW MANAGER	<i>Anthony Bonham</i>	DATE	JUNE 2022
DRAWN	INFRASTRUCTURE DELIVERY UNIT - DESIGN		
SCALE	NOT TO SCALE		

PROJECT: **SEWERAGE WORKS STANDARDS**  
 DRAWING TITLE: **VALVE CHAMBER ACCESS COVERS AND SAFETY GRATE DETAILS**

ACAD FILE No: G:\\_AAA TSC STANDARD DRAWINGS\200 SEWERAGE WORKS\DRIFTS-DONT USE\S.D.221-09 (July-22 Rev B).dwg

S.D.221-09\_27/07/2022 10:6:23 PM