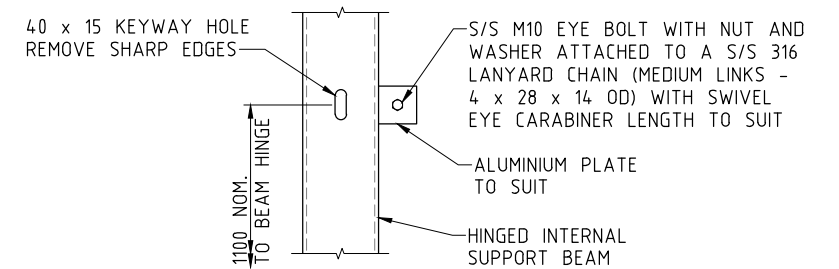
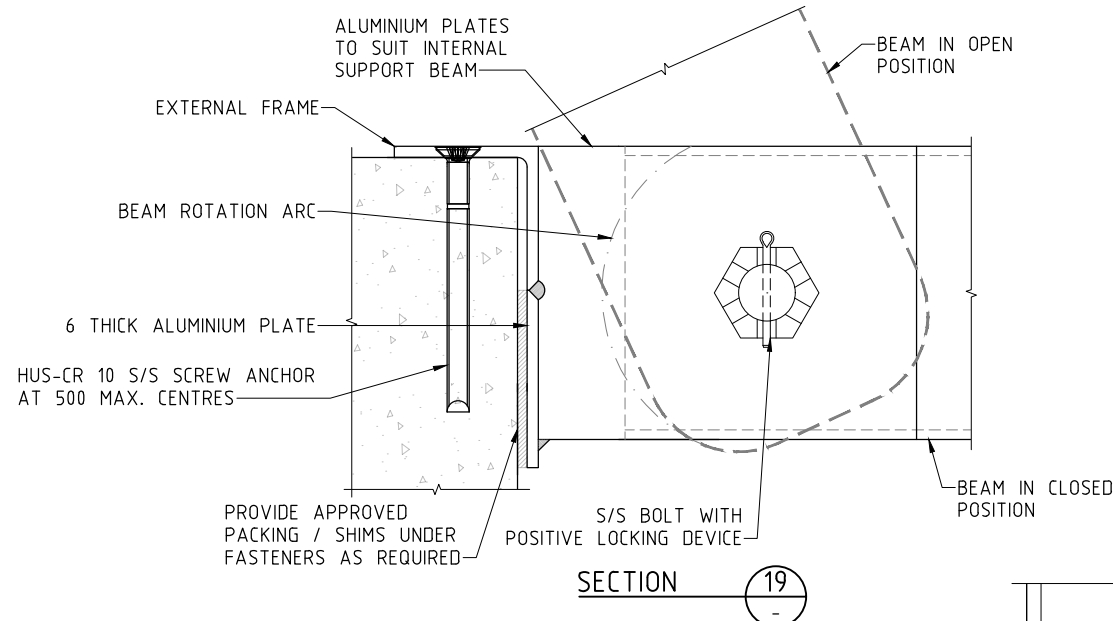
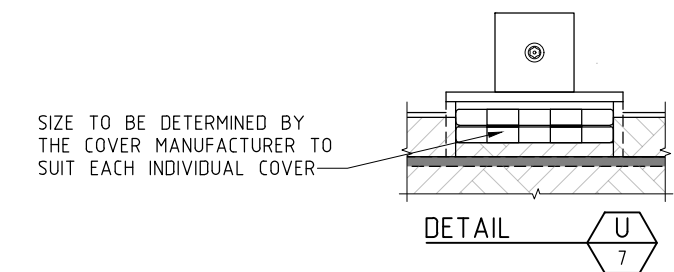
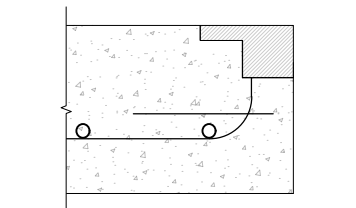
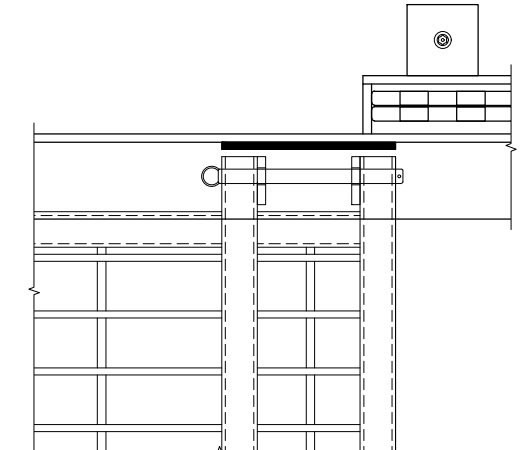
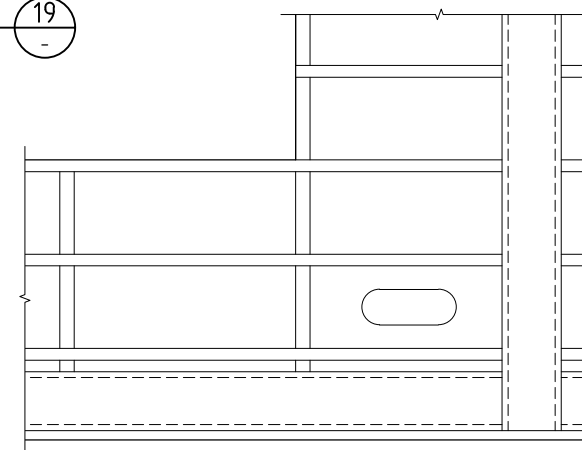


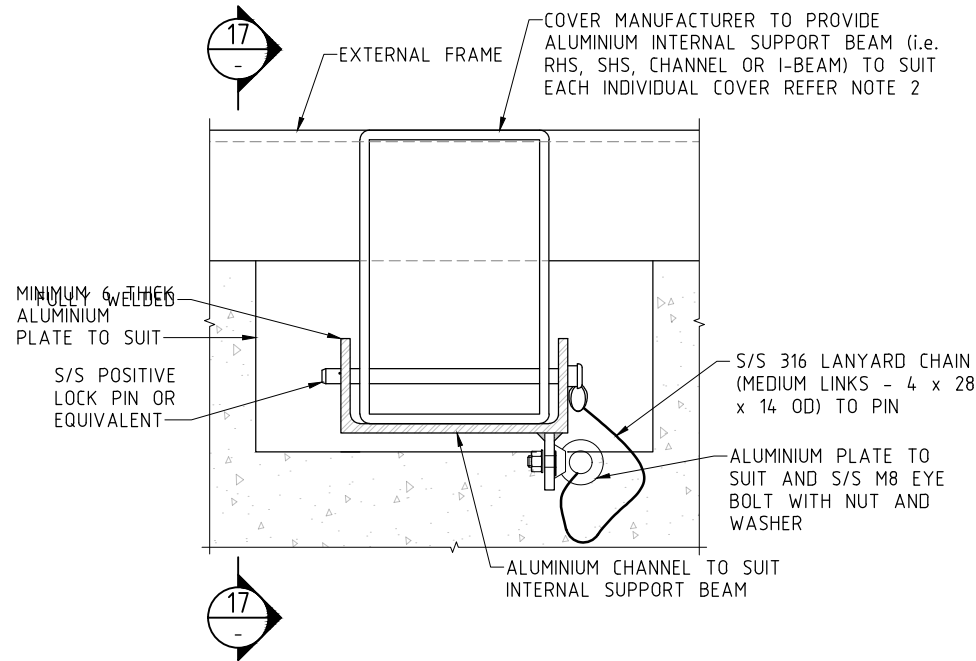
**HINGED INTERNAL SUPPORT BEAM CONNECTION DETAIL**  
(COVER NOT SHOWN) REFER NOTES 3, 4 & 5



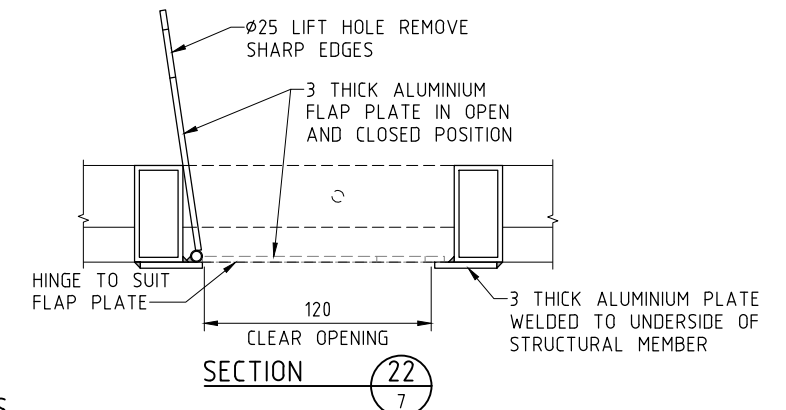
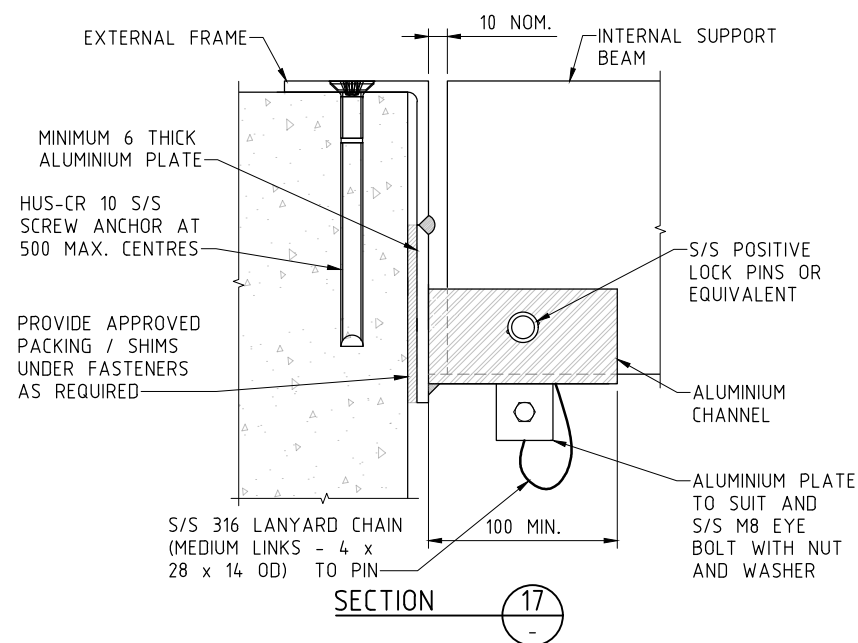
**TYPICAL HINGED INTERNAL SUPPORT BEAM KEYWAY HOLE AND LANYARD ATTACHMENT**



TYPICAL SAWCUT DETAIL



**REMOVABLE INTERNAL SUPPORT BEAM CONNECTION DETAIL**  
(COVERS NOT SHOWN)



**NOTES**

- REFER DRG NO. S.D.221-01 FOR GENERAL AND MATERIAL NOTES.
- WHERE POSSIBLE REMOVABLE INTERNAL SUPPORT BEAMS SHALL BE LOCATED TO AVOID OBSTRUCTION OF NORMAL MAINTENANCE PROCEDURES.
- HINGED INTERNAL SUPPORT BEAMS SHALL HAVE A MAXIMUM LIFTING WEIGHT OF 16kg.
- HINGED INTERNAL SUPPORT BEAMS SHALL HAVE A SUITABLY LOCATED KEYWAY HOLE (40 x 15) OPENING, REFER TYPICAL DETAIL THIS SHEET.
- HINGED INTERNAL SUPPORT BEAM SHALL HAVE A S/S LANYARD AND ALUMINIUM PLATE LOCATED TO SUIT SECUREMENT TO THE HANDRAIL WHEN THE BEAM IS IN AN OPEN POSITION, REFER TYPICAL DETAIL THIS SHEET.

SHEET No. 12

DRAWING NUMBER:  
**S.D.221-12**

JUNE 2022

**DESIGN UNIT**

COUNCIL OFFICES  
TUMBULGUM ROAD,  
MURWILLUMBAH,  
NEW SOUTH WALES 2484

PHONE 02 6670 2400  
EMAIL tsc@tweed.nsw.gov.au  
WEBSITE www.tweed.nsw.gov.au

DESIGN ENGINEER	<i>Alan</i>	DATE JUNE 2022
W & WW MANAGER	<i>Anthony Bonham</i>	DATE JUNE 2022
DRAWN	INFRASTRUCTURE DELIVERY UNIT - DESIGN	
SCALE	NOT TO SCALE	

PROJECT:  
**SEWERAGE WORKS STANDARDS**

DRAWING TITLE:  
**MISCELLANEOUS DETAILS - 2 OF 2**

ACAD FILE No: G:\\_AAA TSC STANDARD DRAWINGS\200 SEWERAGE WORKS\DRIFTS-DONT USE\S.D.221-12 (July-22 Rev B).dwg



B	GENERAL REVISION	CAH	07.22
A	ORIGINAL ISSUE	CAH	06.22
ISSUE	AMENDMENT DETAILS	INITIALS	DATE