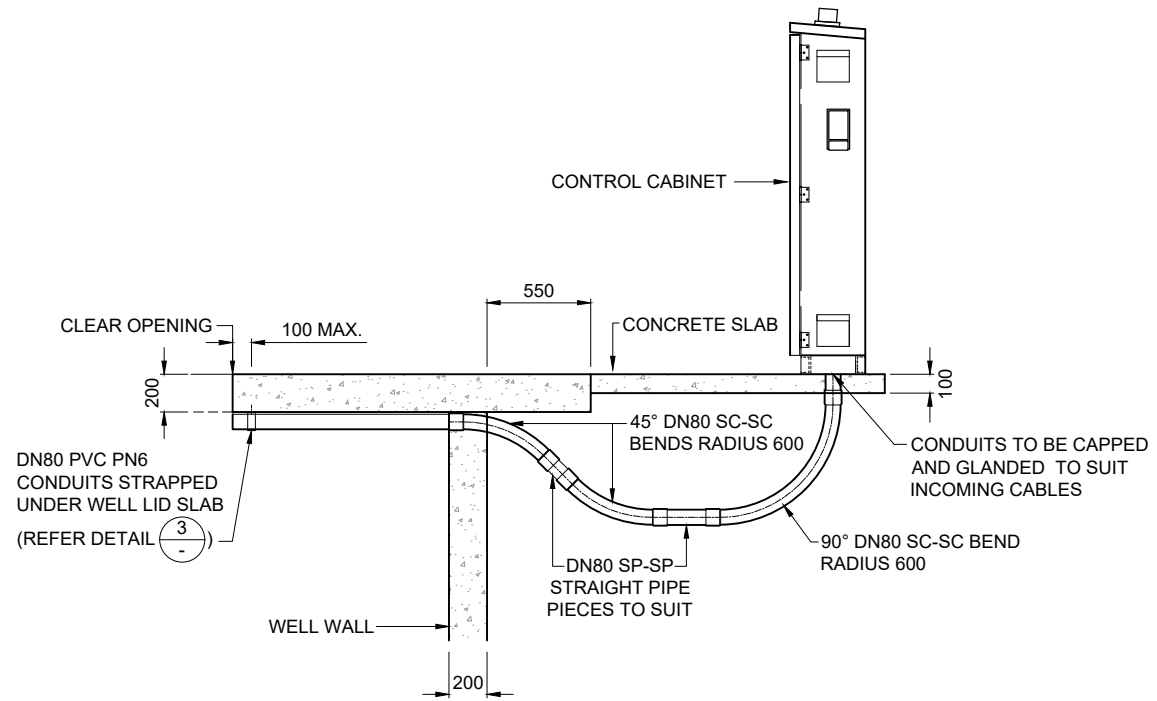


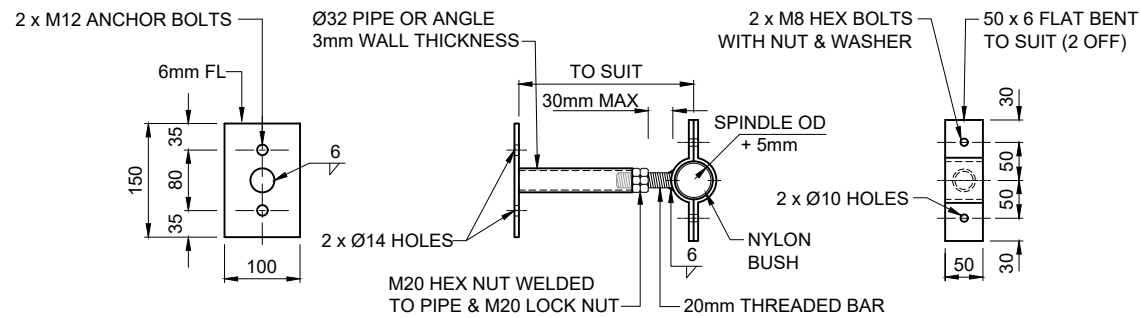
DETAIL 1  
SCALE 1:20 (A3)

SPINDLE ACCESS THROUGH WELL COVER SLAB



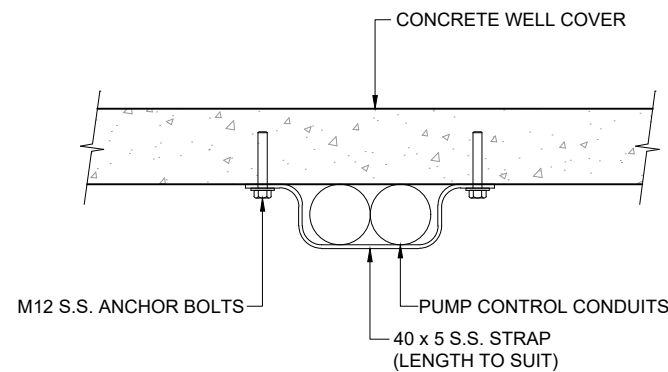
SECTION B  
SCALE 1:40 (A3)

PIPEWORK SCHEDULE		
ALL PIPES TO BE DI EPOXY COATED INTERNALLY AND EXTERNALLY		
ITEM	DESCRIPTION	No
1	SUBMERSIBLE PUMP WITH PUMP STAND	2
2	NOT USED	
3	Ø150 FL-FL STRAIGHT LENGTH .....	2
4	Ø150 FL-FL 90° BEND	2
5	Ø150 FL-SP STRAIGHT WITH PUDDLE FLANGE LENGTH .....	2
6	Ø150 GIBAULT JOINT (MULTI-FIT TYPE)	4
7	150Ø FL-SP STRAIGHT WITH 20 mm TAPPING & BALL VALVE LENGTH .....	2
8	Ø150 FL-FL VALMATIC NON-RETURN VALVE	2
9	Ø150 FL-FL RESILIENT SEATED SLUICE VALVE	3
10	Ø150 FL & SP STR WITH PUDDLE FLANGE AND 20mm TAPPING AND BALL VALVE. LENGTH .....	1
11	150Ø FL-SP STRAIGHT WITH PUDDLE FLANGE LENGTH .....	1
12	Ø150 SC-SC 45° BEND	1
13	Ø150 SP- SP STRAIGHT	2
14	Ø150 SC-SC 'Y' JUNCTION	1
15	Ø..... FL-SP STRAIGHT WITH PUDDLE FLANGE LENGTH .....	1
16	Ø..... FL-FL RESILIENT SEATED SLUICE VALVE	1
17	Ø150 FL-FL-FL TEE	1
18	Ø150 FL-FL SLUICE VALVE WITH HAND WHEEL	1
19	Ø150 BLANK FLANGE	1
20	Ø..... GIBAULT JOINT	1
21	Ø150 FL-SP PIPE PIECE 2000 LONG	1
22	Ø150 FL-FL ELECTROMAGNETIC FLOWMETER	1
23	Ø150 FL-FL STRAIGHT LENGTH 750mm	1
24	Ø150 FL-SP CONNECTOR	1
25	Ø..... FL-FL TEE HDPE PE100	1
26	Ø..... BLANK END HDPE PE100	1
27	Ø..... FL-SP PIPE L.T.S. HDPE PE100	1



DETAIL 2  
SCALE 1:10 (A3)

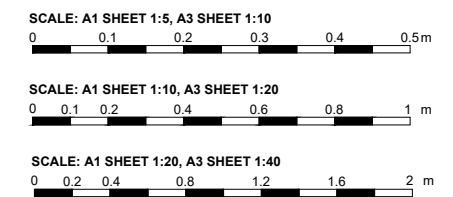
EXTENSION SPINDLE BRACKET



DETAIL 3  
SCALE 1:20 (A3)

CONDUIT STRAP DETAIL

PUMP DETAILS	
MANUFACTURER	FLYGT, KSB, ABS, GRUNDFOS
MODEL	.....
IMPELLER DIA	.....mm
DUTY POINT	.....L/S @ .....m
MOTOR SIZE	.....kW
FULL LOAD CURRENT	.....A



D	ITEM 2 REMOVED FROM PIPEWORK SCHEDULE	C.A.H	05.2022
C	CONDUITS CAPPED AND PIPEWORK SCHEDULE ADDED	A.K.R.	09.2015
B	PIPEWORK SCHEDULE AMENDED	G.P.C.	06.2015
A	NEW SHEET (PREVIOUSLY PARTS OF S.D.220/03 & S.D.220/04), CONDUIT STRAP ADDED & PIPEWORK SCHEDULE UPGRADED	G.P.C.	08.2014
ISSUE	AMENDMENT DETAILS	INITIALS	DATE



**DESIGN UNIT**  
COUNCIL OFFICES  
TUMBULGUM ROAD,  
MURWILLUMBAH,  
NEW SOUTH WALES 2484  
PHONE 02 6670 2400  
FAX 02 6672 7513  
WEBSITE www.tweed.nsw.gov.au

DESIGN ENGINEER	..... DATE 14.09.15.
DESIGN MANAGER	..... DATE 14.09.15.
DRAWN	ENGINEERING & OPERATIONS DESIGN UNIT
SCALE	AS SHOWN

PROJECT:	<b>SEWERAGE WORKS STANDARDS</b>
PLAN TITLE:	<b>2.0m DIAMETER PUMP STATION (SHEET 6 OF 6 SHEETS) DETAILS</b>
ACAD FILE No:	G:\_AAA TSC STANDARD DRAWINGS\200 SEWERAGE WORKS\S.D.220-06 (June-15 Rev D)

DRAWING NUMBER:	<b>S.D.220-06</b>
	<b>MAY 2022</b>

