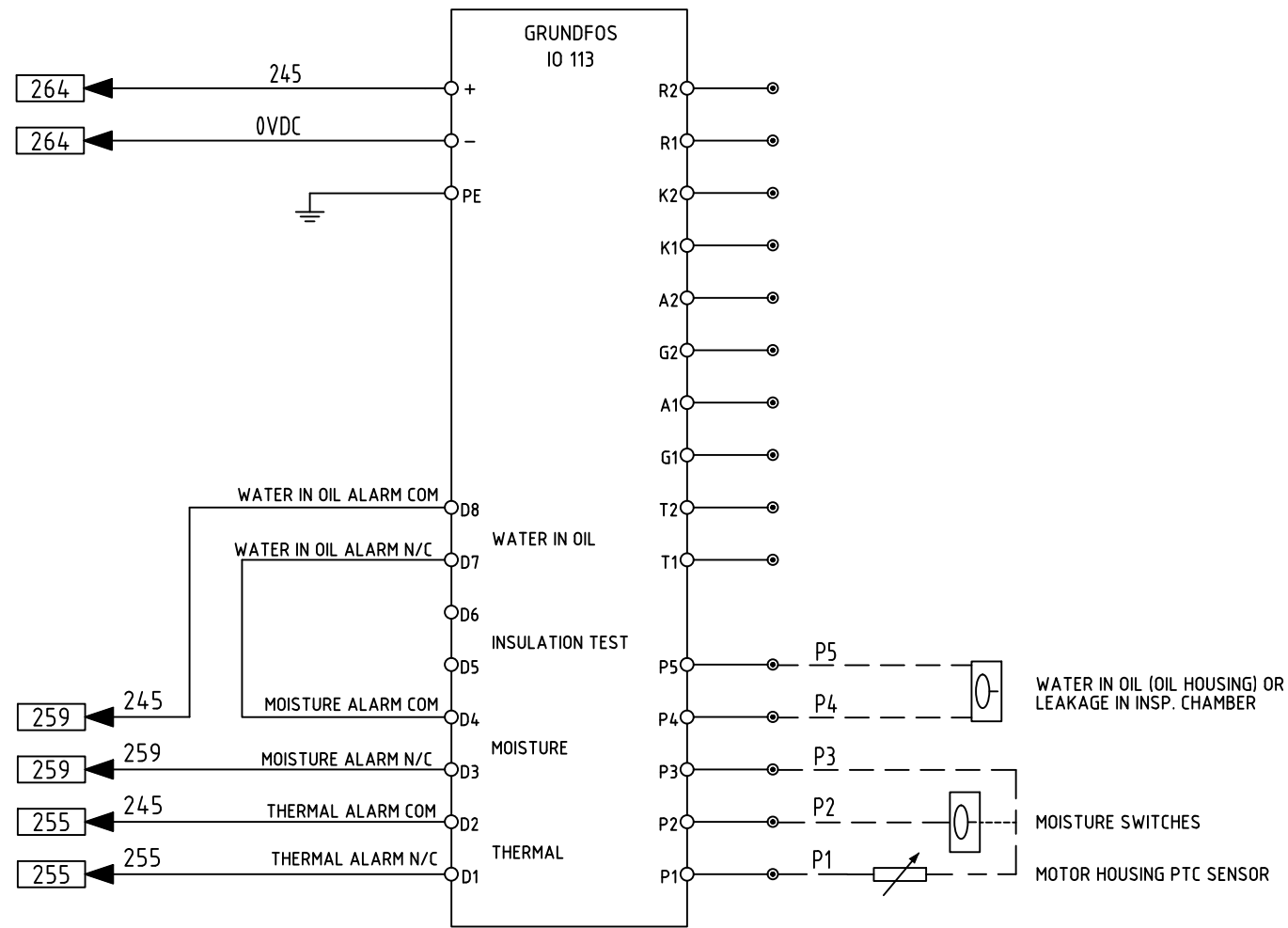
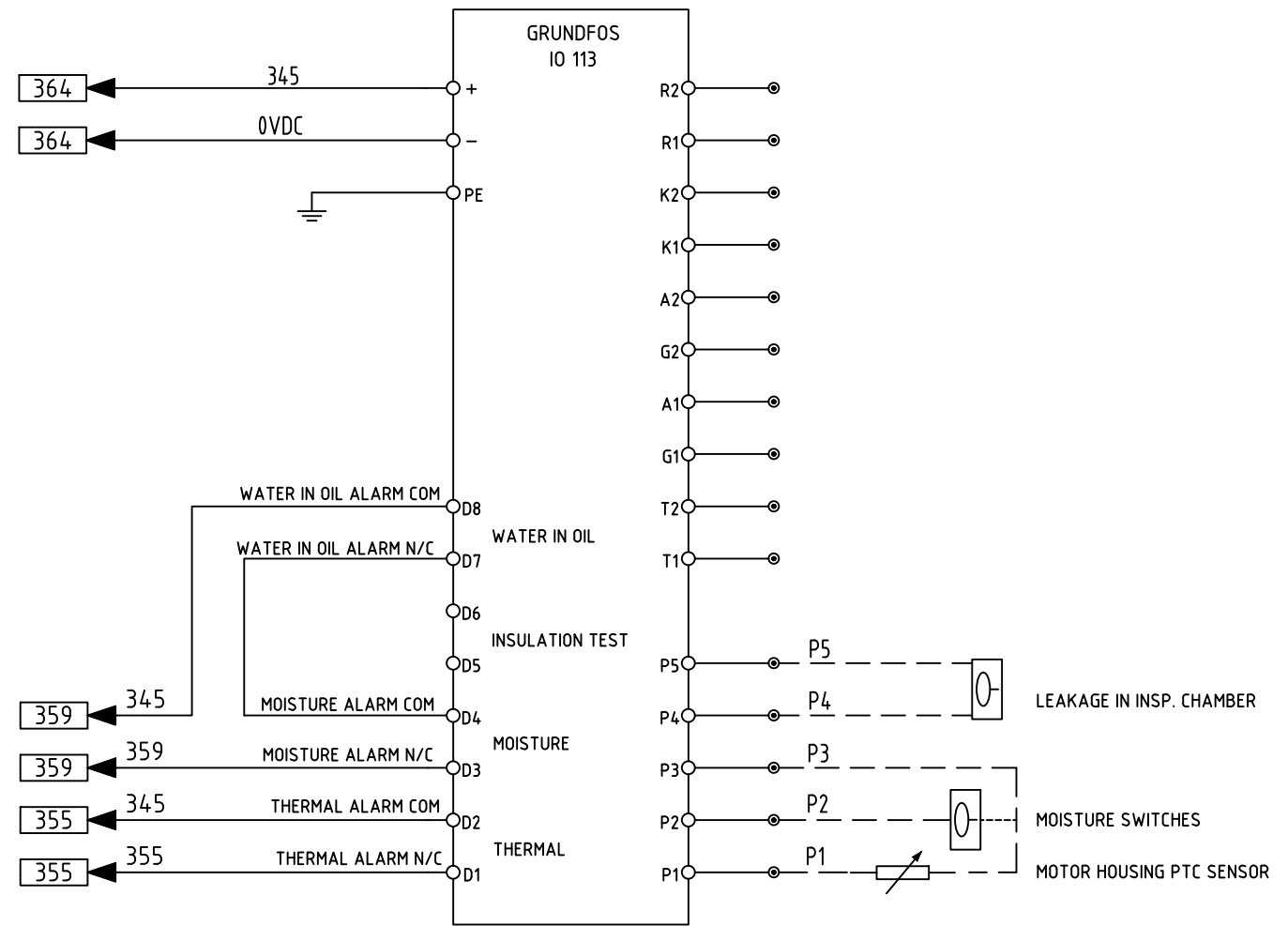


K1201
PMP-R1



NOTE 1: RESET OF FAULTS DONE ON THE IO 113 UNIT

K1236
PMP-R2



NOTE 1: RESET OF FAULTS DONE ON THE IO 113 UNIT

ISSUE	AMENDMENT DETAILS	Drawn	Checked	Approved	Date
00	ORIGINAL ISSUE			D.F	3.8.12
01	AMENDED ISSUE RELEASED FOR PUBLICATION	E.K	P.B	D.F	13.08.13
02	AMENDED TERMINAL ASSOCIATIONS	E.K	P.B	D.F	27.04.15
03	REMOVED REDUNDANT 110 P/N, UPDATED NOTE 1 & SHEET NAME	P.B	D.R	J.G	13.08.20



ELECTRICAL UNIT
COUNCIL OFFICES
ALTONA ROAD,
CUDGEN NSW 2487.
PHONE 02 66740342
FAX 02 66741069
WEBSITE www.tweed.nsw.gov.au

DESIGNED:	<i>[Signature]</i>
DRAWN:	<i>[Signature]</i>
APPROVED:	<i>[Signature]</i>
SCALE	NTS
ACAD FILE No.:	

PROJECT:	SEWAGE PUMP STATIONS ELECTRICAL STANDARD DRAWINGS
PLAN TITLE:	PROPRIETARY MOTOR PROTECTION UNITS GRUNDFOS IO 113

DRAWING NUMBER: SD-820C/12	
SHEET	12 OF 19
REV	03
DATE	13/08/2020