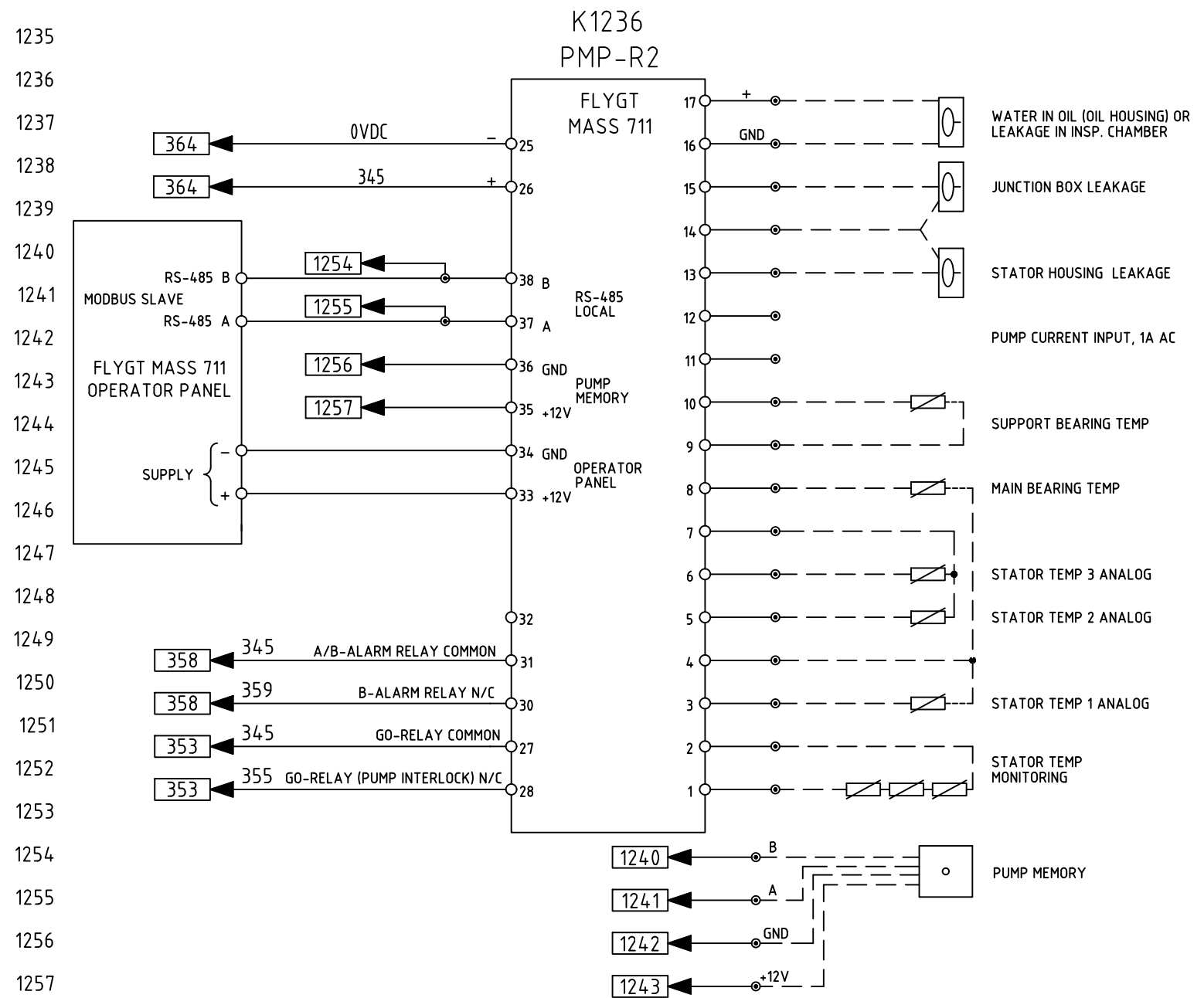


NOTE 1: RESET OF FAULTS DONE AT OPERATOR PANEL



NOTE 1: RESET OF FAULTS DONE AT OPERATOR PANEL

ISSUE	AMENDMENT DETAILS	Drawn	Checked	Approved	Date
00	ORIGINAL ISSUE			D.F	3.8.12
01	AMENDED ISSUE RELEASED FOR PUBLICATION	E.K	P.B	D.F	13.08.13
02	TERMINAL ASSOCIATIONS UPDATED	E.K	P.B	D.F	27.04.15
03	TERMINAL ASSOCIATIONS UPDATED	M.T.	E.K.	J.G	01.03.16

ELECTRICAL UNIT
 COUNCIL OFFICES
 ALTONA ROAD,
 CUDGEN NSW 2487.
 PHONE 02 66740342
 FAX 02 66741069
 WEBSITE www.tweed.nsw.gov.au

DESIGNED:	<i>[Signature]</i>
DRAWN:	<i>[Signature]</i>
APPROVED:	<i>[Signature]</i>
SCALE	NTS
ACAD FILE No.:	

PROJECT:	SEWAGE PUMP STATIONS ELECTRICAL STANDARD DRAWINGS
PLAN TITLE:	PROPRIETARY MOTOR PROTECTION UNITS FLYGT MAS 711

DRAWING NUMBER: SD-820B/12	
SHEET	12 OF 19
REV	02
DATE	27/04/2015