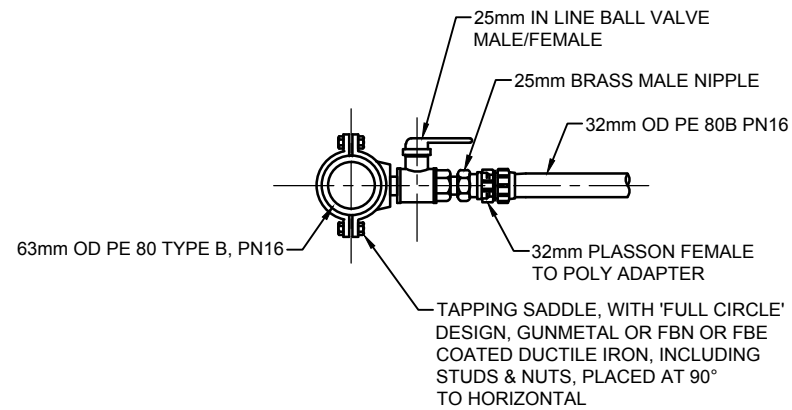
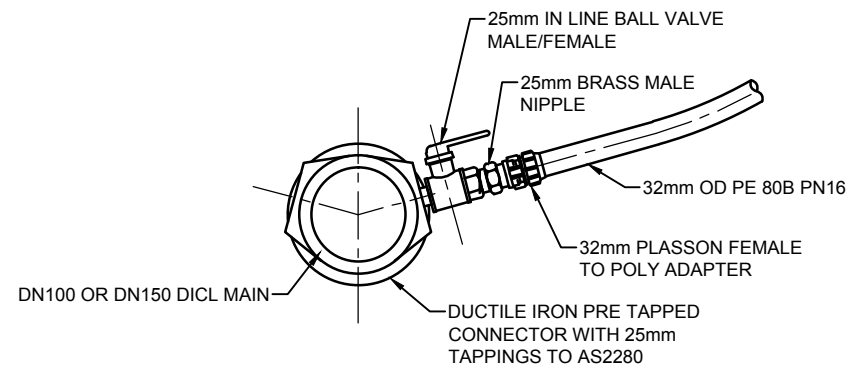


NOTES

1. WHERE THE WATER MAIN IS LOCATED WITHIN THE ROAD PAVEMENT OR ROAD SHOULDER, THE ENTIRE SERVICE LINE SHALL BE INSTALLED IN THE SAME INTERNAL DIAMETER COPPER PIPE IN PLACE OF PE PIPE.
2. REFER S.D. 302 FOR LAYOUT DETAILS.

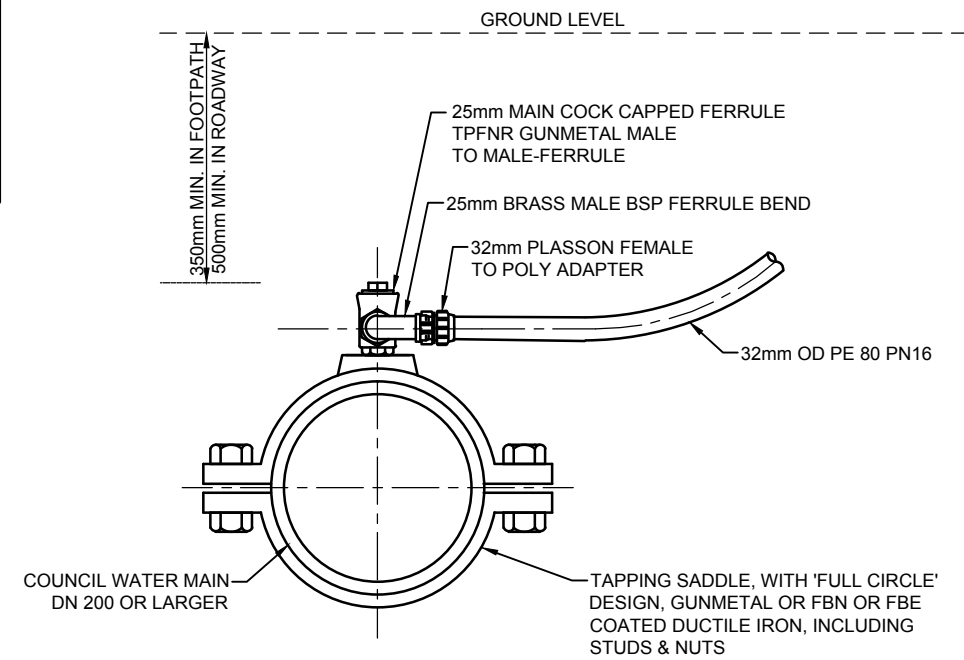


**32mm OD PE TO
63mm OD PE**

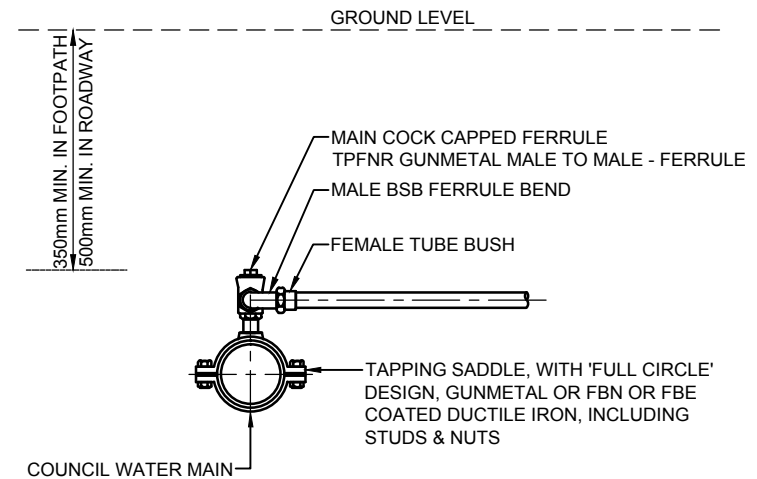


**32mm OD PE TO DN100
OR DN150 DI CL MAIN**

UN-PRESSURISED MAINS



**32mm OD PE TO ANY SIZE MAIN
(EXCLUDES MILD STEEL PIPES)**



**40mm OR 50mm COPPER TO ANY SIZE MAIN
(EXCLUDES MILD STEEL PIPES)**

PRESSURISED MAINS

ISSUE	AMENDMENT DETAILS	INITIALS	DATE
C	NOTES AMENDED & PLAN FORM UPGRADED	G.P.C.	06.2015
B	NOTES 1 & 2 ADDED	G.P.C.	05.2009
A	ORIGINAL ISSUE	G.P.C.	05.2006

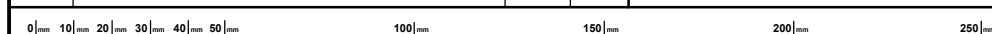


DESIGN UNIT
 COUNCIL OFFICES
 TUMBULGUM ROAD,
 MURWILLUMBAH,
 NEW SOUTH WALES 2464
 PHONE 02 6670 2400
 FAX 02 6672 7513
 WEBSITE www.tweed.nsw.gov.au

DESIGN ENGINEER	<i>Shirley</i>	DATE	11.05.15
DESIGN MANAGER	<i>P. May</i>	DATE	22.05.15
DRAWN	ENGINEERING & OPERATIONS DESIGN UNIT		
SCALE	NOT TO SCALE		

PROJECT:	WATER SUPPLY STANDARDS
PLAN TITLE:	PROPERTY SERVICES CONNECTION TO MAIN

DRAWING NUMBER:	S.D. 320
	JUNE 2015



ACAD FILE No: G:_AAA TSC STANDARD DRAWINGS\300 WATER SUPPLY\S.D.320 (June-15 Rev C).dwg