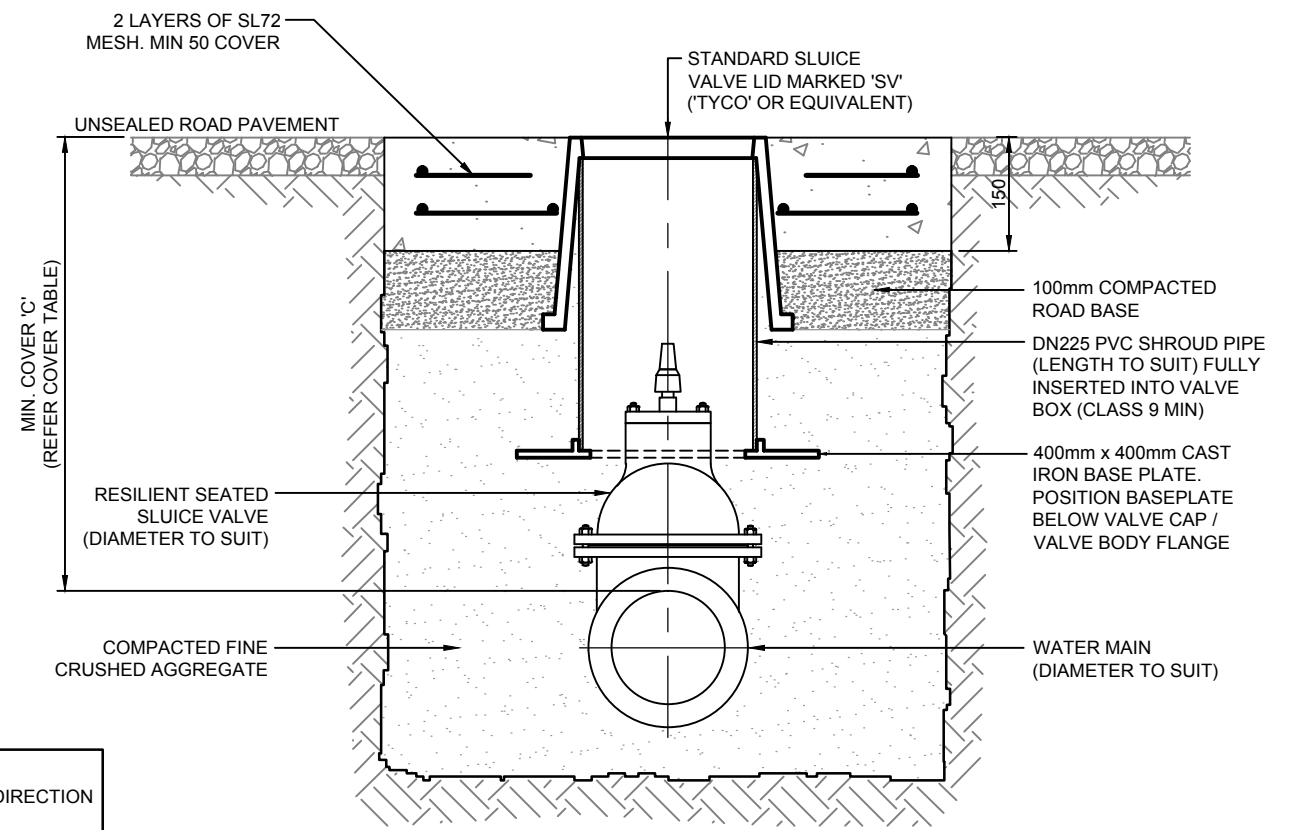
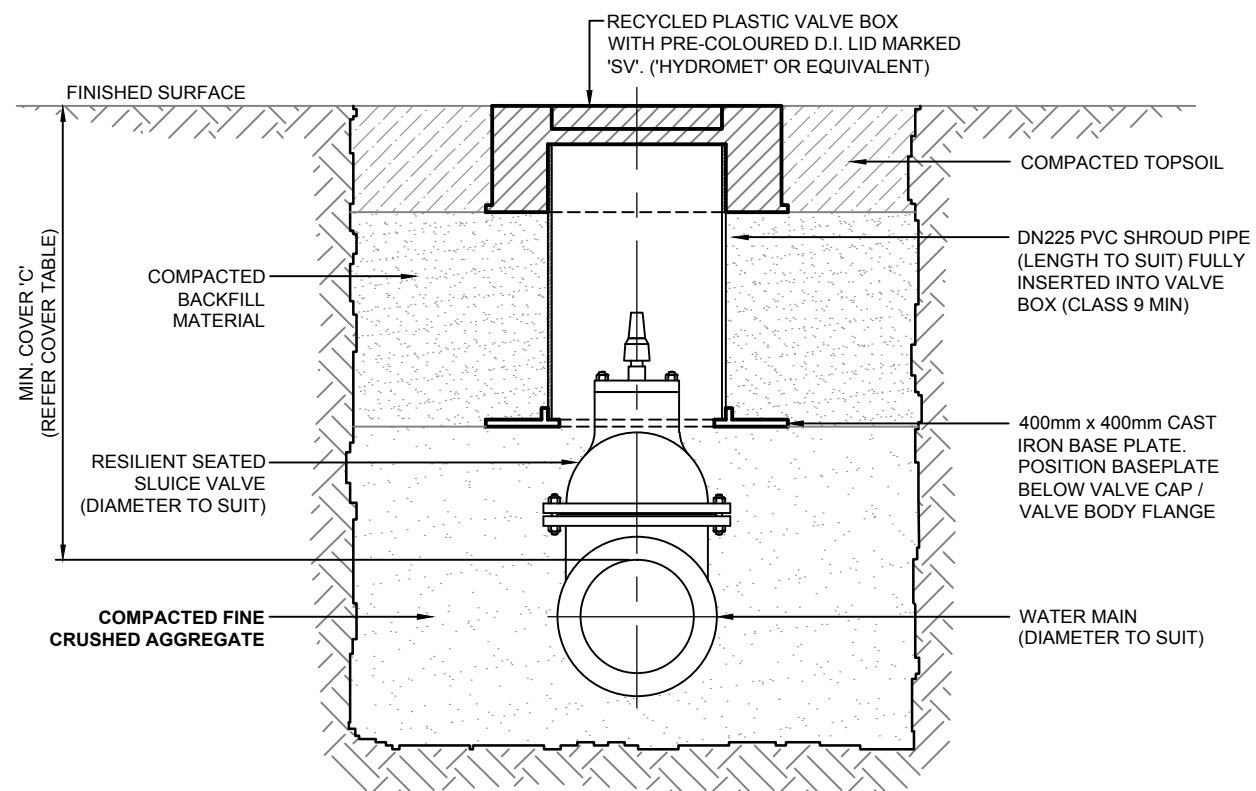


SLUIICE VALVES (IN SEALED ROAD PAVEMENT)
SCALE 1:10 (A3)



SLUIICE VALVES (IN UNSEALED ROAD PAVEMENT)
SCALE 1:10 (A3)

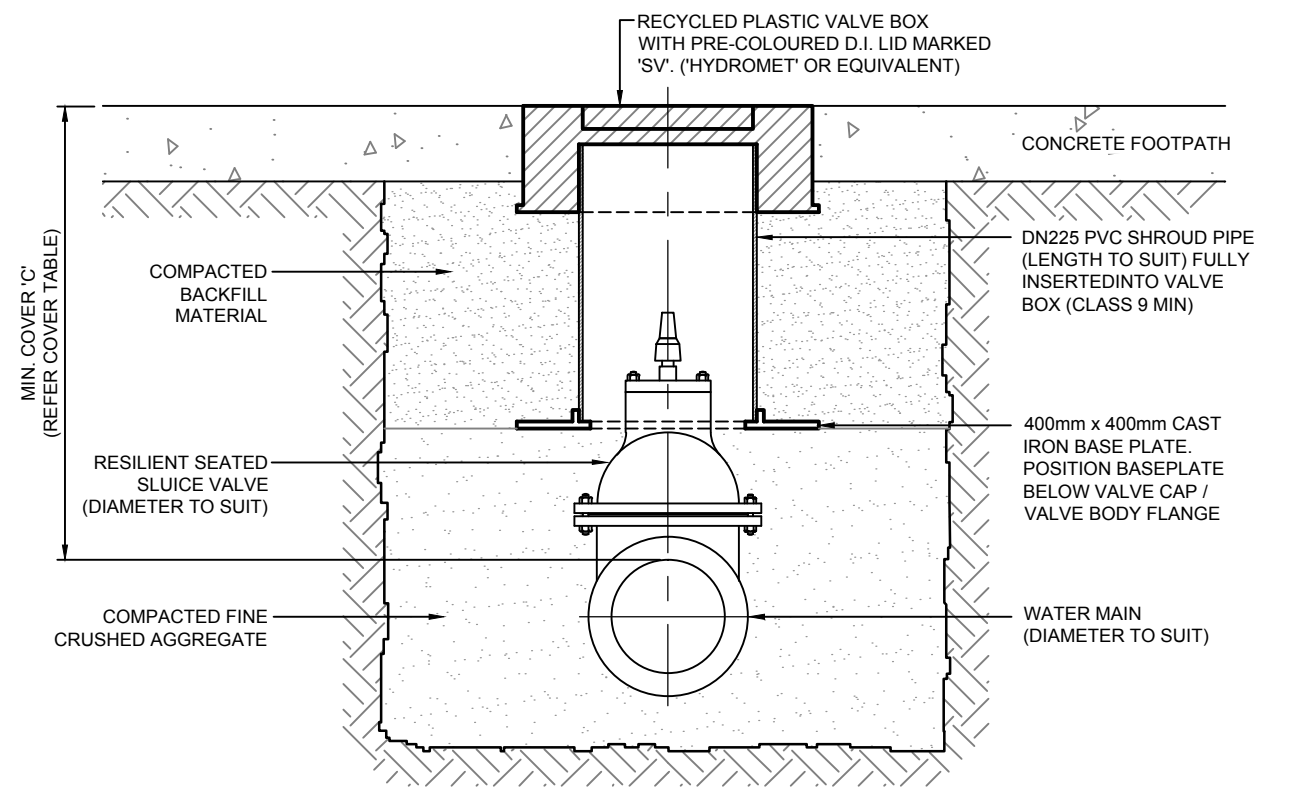
NOTES:
 1. SLUIICE VALVES TO BE CLOCKWISE CLOSING. DIRECTION ARROW TO BE DISPLAYED ON SPINDLE TOP.
 2. REFER S.D. 316 FOR DETAILS OF VALVE MARKING.
 3. WHERE DISTANCE BETWEEN VALVE SPINDLE AND TOP OF VALVE BOX IS GREATER THAN 500mm, AN EXTENSION SPINDLE IS TO BE PROVIDED.



SLUIICE VALVES (WITH NO VEHICULAR LOADING)
SCALE 1:10 (A3)

COVER TABLE
(FOR VERTICALLY PLACED VALVES)

VALVE DIAMETER (mm)	MINIMUM COVER 'C' (mm)
100	500
150	550
200	630
250	730
300	810
375	980
450	1160
500	1285
600	1475
750	2000



SLUIICE VALVES (IN CONCRETE FOOTPATH)
SCALE 1:10 (A3)

ISSUE	AMENDMENT DETAILS	INITIALS	DATE
C	NOTES AMENDED & PLAN FORM UPGRADED	G.P.C.	06.2015
B	VALVES IN ROADS & FOOTPATHS, COVERS & NOTES	G.P.C.	11.2011
A	ORIGINAL ISSUE	J.P.	05.2006



DESIGN UNIT
 COUNCIL OFFICES
 TUMBULGUM ROAD,
 MURWILLUMBAH,
 NEW SOUTH WALES 2464
 PHONE 02 6670 2400
 FAX 02 6672 7513
 WEBSITE www.tweed.nsw.gov.au

DESIGN ENGINEER	<i>[Signature]</i> DATE 18.05.15
DESIGN MANAGER	<i>[Signature]</i> DATE 22.05.15
DRAWN	ENGINEERING & OPERATIONS DESIGN UNIT
SCALE	1:10 (A3)

PROJECT:	WATER SUPPLY STANDARDS
PLAN TITLE:	TYPICAL VALVE INSTALLATION DETAILS

DRAWING NUMBER:	S.D. 312
	JUNE 2015



ACAD FILE No: G:_AAA TSC STANDARD DRAWINGS\300 WATER SUPPLY\S.D.312 (June-15 Rev C).dwg