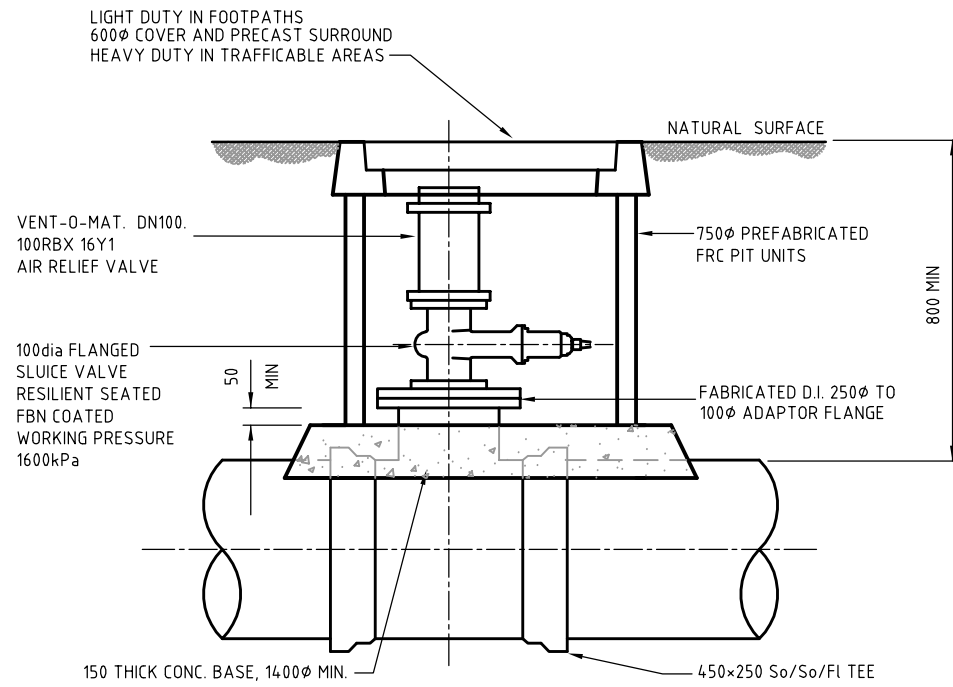
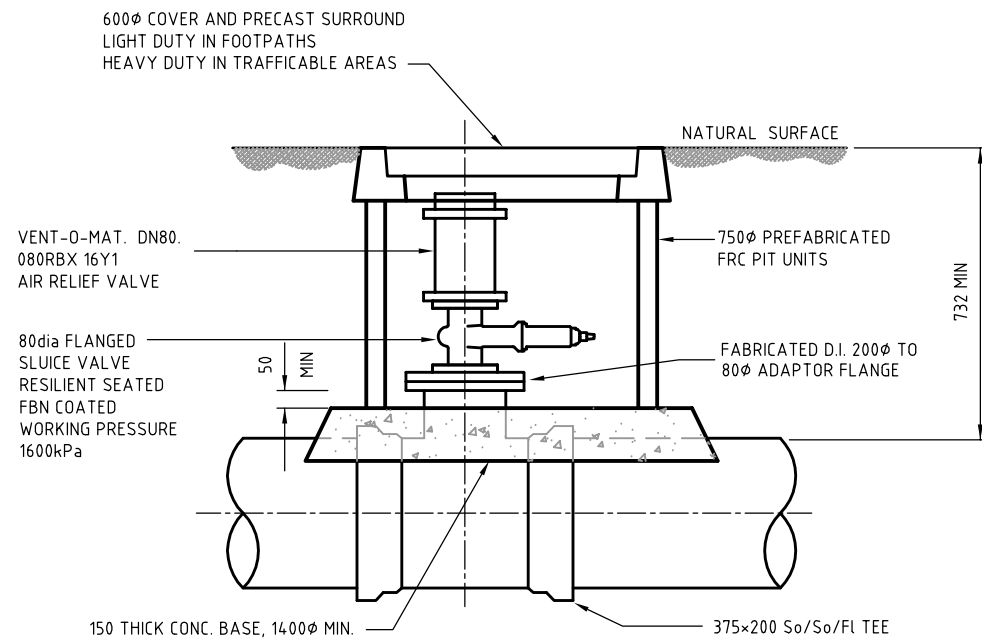


**NOTES**

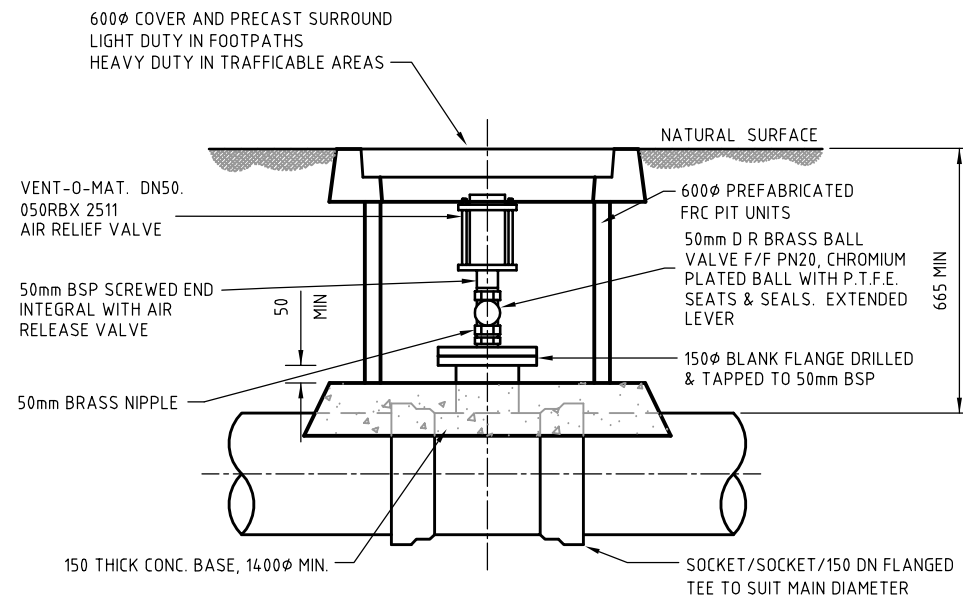
- COVERS TO HAVE PAINTED STENCIL MARKING 'WATER A.V.'
- ALL DI.C.L. PIPES TO BE WRAPPED WITH POLYETHYLENE SLEEVE.
- ALL FLANGES ON D.I.C.L. PIPES AND FITTINGS SHALL BE DRILLED TO AS. 4087. FIGURE B5-CLASS 16.
- ALL FLANGES ON STEEL PIPES AND FITTINGS SHALL BE DRILLED TO AS. 4087. FIGURE B7-CLASS 14.
- FOR WATER MAINS LARGER THAN 450mm DIA. AIR RELEASE VALVES & PITS SHALL BE INDIVIDUALLY SIZED AND DETAILED
- REFER TO S.D.340 FOR WATER SUPPLY FITTINGS & VALVES




**100DN AIR RELEASE VALVE FOR 450 $\phi$  MAINS**



**80DN AIR RELEASE VALVE FOR 375 $\phi$  MAINS**



**50DN AIR RELEASE VALVE SUITABLE FOR MAINS 300 $\phi$  OR SMALLER**

		 <b>TWEED SHIRE COUNCIL</b> DESIGN UNIT COUNCIL OFFICES TUMBULGUM ROAD, MURWILLUMBAH, NEW SOUTH WALES, 2484 PHONE MURWILLUMBAH 02 66702400 FAX MURWILLUMBAH 02 66727513 WEBSITE www.tweed.nsw.gov.au		DESIGN ENGINEER	<i>[Signature]</i> DATE MAY 2007	PROJECT:	WATER SUPPLY STANDARDS	DRAWING NUMBER:	S.D. 311
				DESIGN MANAGER	<i>[Signature]</i> DATE MAY 2007	PLAN TITLE:	AUTOMATIC AIR RELEASE VALVE INSTALLATION DETAILS		MAY 2007
ISSUE		AMENDMENT DETAILS	INITIALS	DATE	SCALE	ACAD FILE No		G:\TSC STANDARD DRAWINGS\S.D. DRAWINGS\300WATER SUPPLY\SD311.DWG	
0	10	20	30	40	50	100	150	200	250