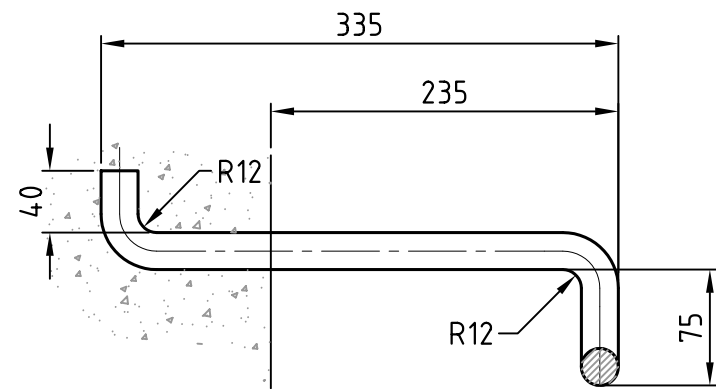
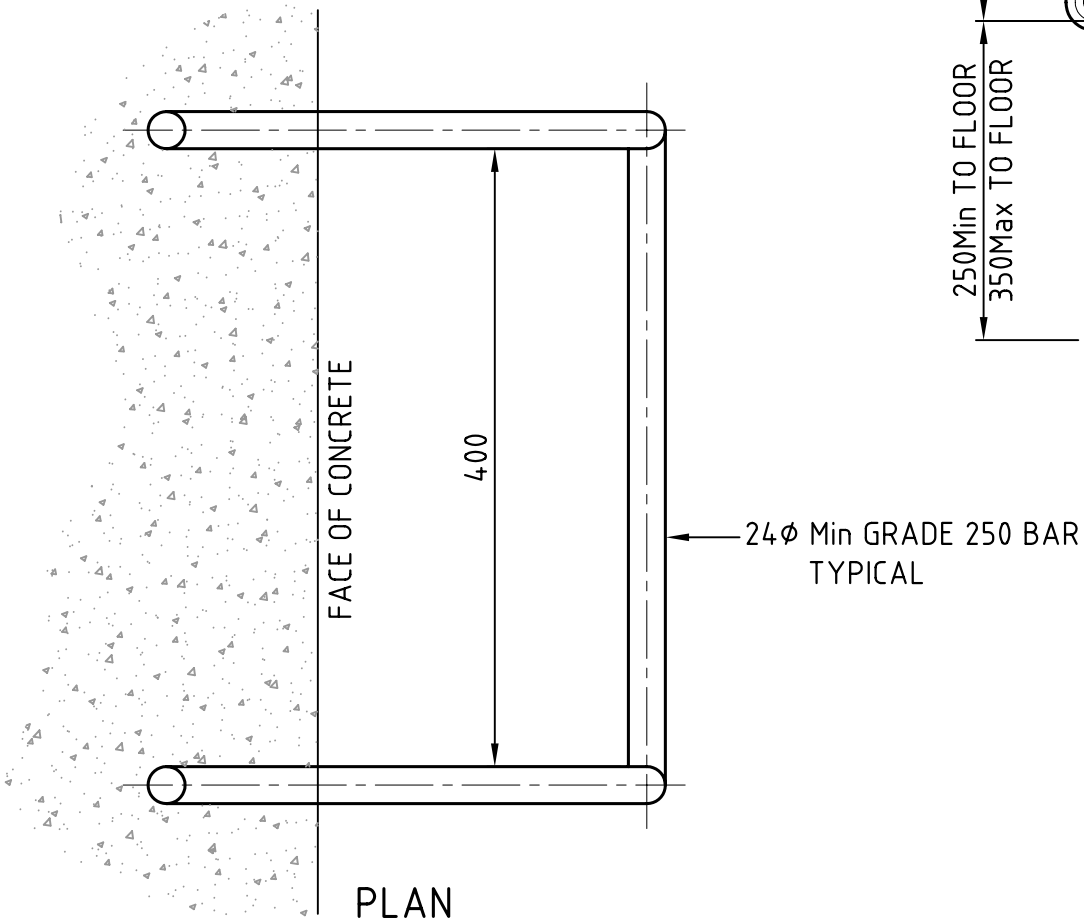


ELEVATION

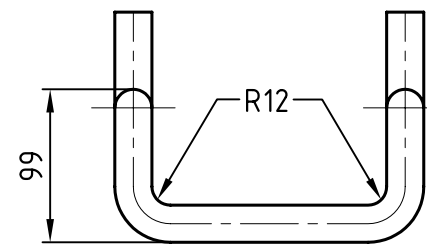
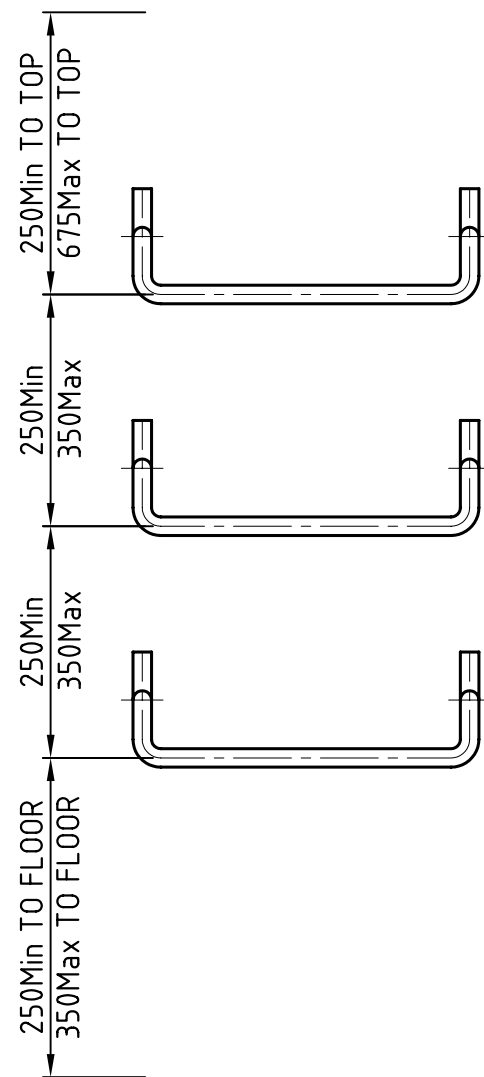


SECTION

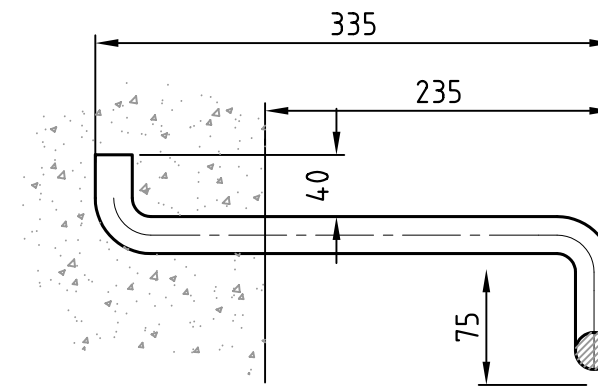


PLAN

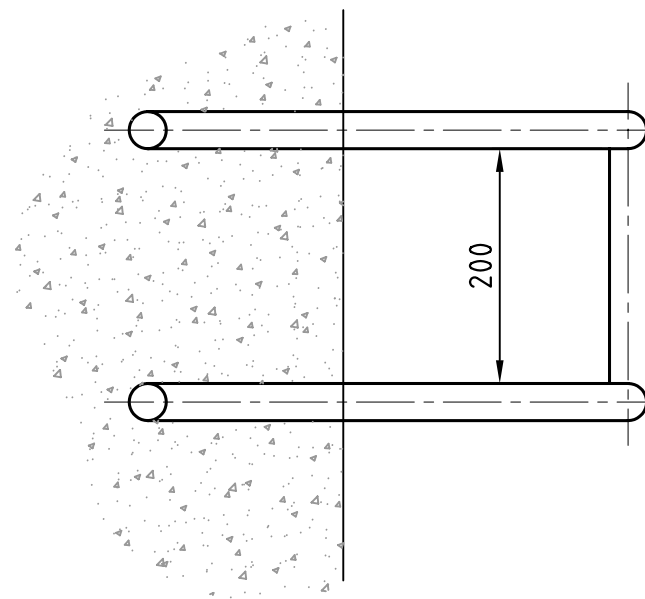
PREFERRED TYPE 1 - INDIVIDUAL RUNG



ELEVATION

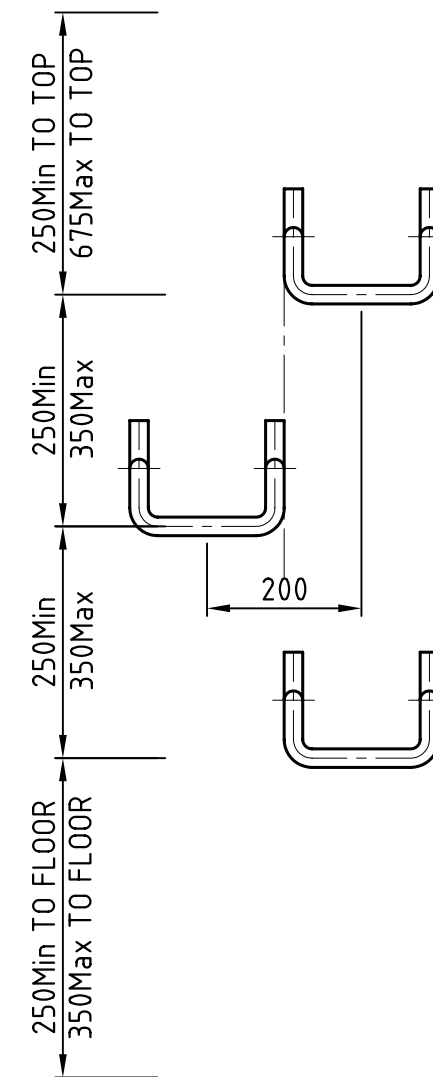


SECTION



PLAN

TYPE 2 - INDIVIDUAL COPLANAR RUNGS



NOTES

1. STEEL GRADE BAR TO AS3679, HOT DIP GALV. AFTER BENDING
2. ALTERNATIVE STEP IRON TO AS1657 MAY BE USED
3. STEP IRONS ARE REQUIRED IN PITS GREATER THAN 1200mm FROM THE SURFACE.

B	DRAWINGS ADOPTED FOR ISSUE TO PUBLIC	R.A.E.	5.2004
A	ORIGINAL ISSUE	R.A.E.	5.2004
ISSUE	AMENDMENT DETAILS	INITIALS	DATE

TWEED SHIRE COUNCIL
PLANNING AND DESIGN UNIT
 COUNCIL OFFICES
 TUMBULGUM ROAD,
 MURWILLUMBAH,
 NEW SOUTH WALES, 2484
 PHONE MURWILLUMBAH 02 66720400
 FAX MURWILLUMBAH 02 66727513
 EMAIL lmunro@tweed.nsw.gov.au

DESIGN ENGINEER (SIGNED)	<i>[Signature]</i>	DATE	5.2004
PLANNING & DESIGN MGR.	<i>[Signature]</i>	DATE	5.2004
DESIGNED	R.A.E.	5.2004	DESIGN NO.
DRAWN	R.A.E.	5.2004	SURVEY NO.
CHECKED	W.B.	5.2004	PROGRAM NO.
HORIZONTAL DATUM			REDUCTION RATIO
VERTICAL DATUM			

PROJECT:	STORMWATER STANDARDS
PLAN TITLE:	STEP IRON DETAILS

DRAWING NUMBER:	S.D.109
SHEET 1 OF 1 SHEETS	
ISSUE	A B