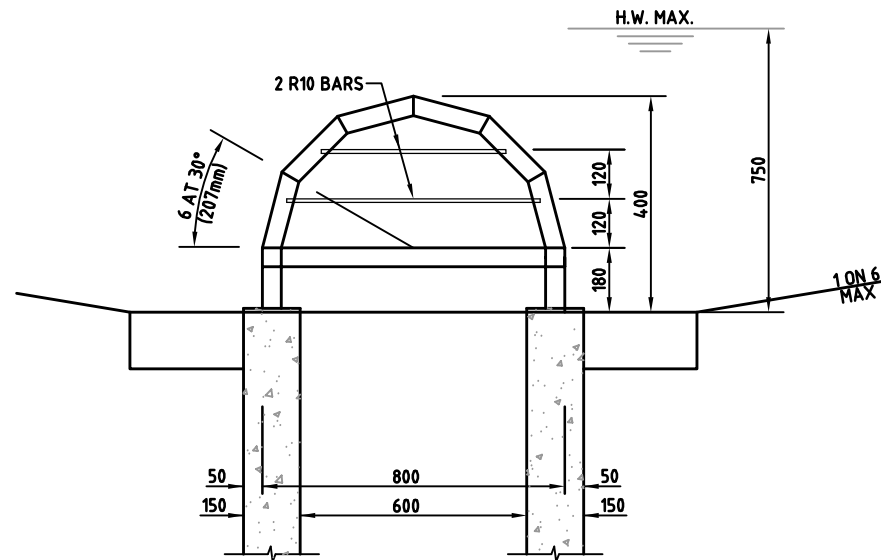
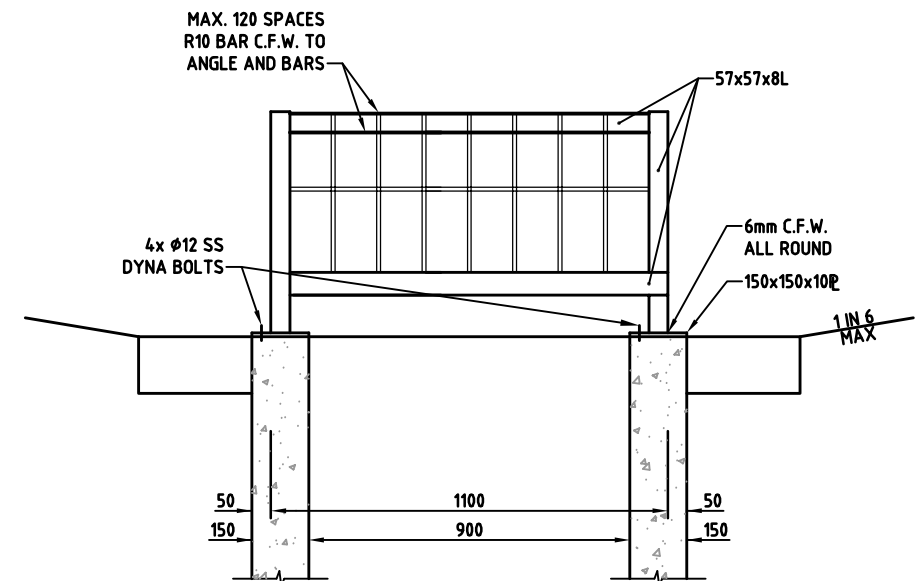


END ELEVATION



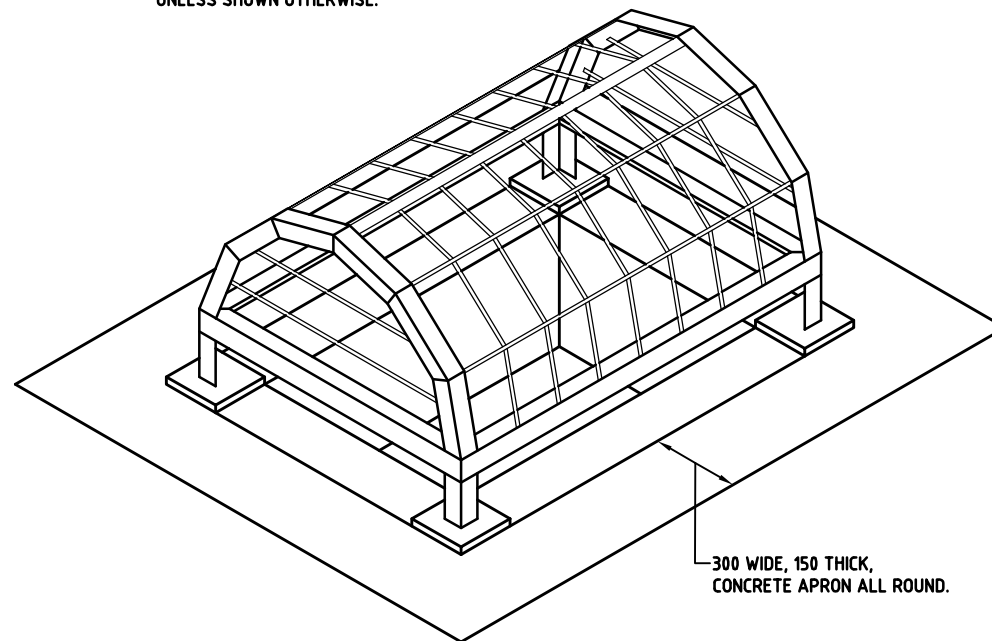
END ELEVATION



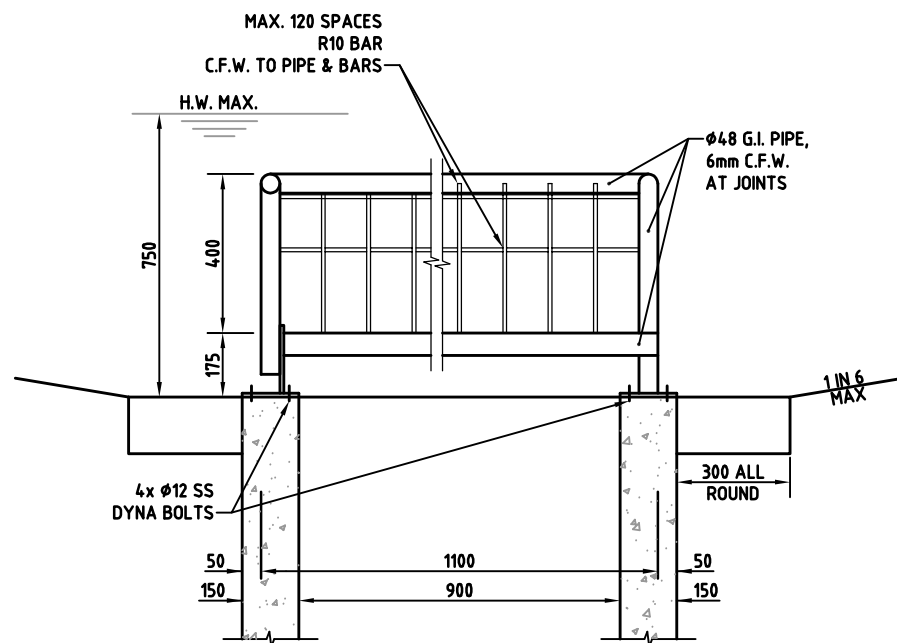
ELEVATION

NOTES:

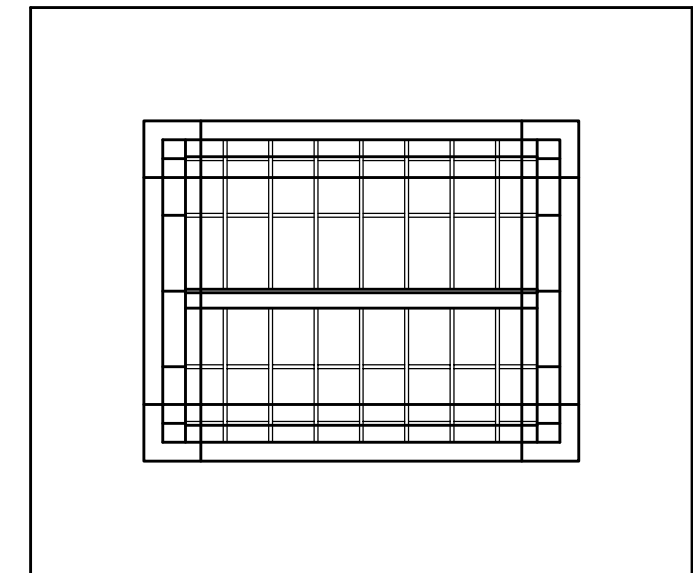
1. CONCRETE TO BE GRADE N32 TO AS3600.
2. GRATE & HINGES TO BE HOT DIPPED GALVANISED AFTER FABRICATION.
3. THE ISOMETRIC VIEW IS SIMILAR IN TYPE 1 & TYPE 2.
4. PIPE INVERT LEVELS AS PER DRAINAGE DETAILS.
5. DIMENSIONS ARE IN MILLIMETRES UNLESS SHOWN OTHERWISE.



ISOMETRIC VIEW



HALF ELEVATION
TYPE 1 - PIPE CONSTRUCTION



PLAN
TYPE 2 - ANGLE CONSTRUCTION

C	STONE PITCHED APRON CHANGED TO PLAIN CONCRETE	R.A.E.	10.2004
B	DRAWINGS ADOPTED FOR ISSUE TO PUBLIC	R.A.E.	5.2004
A	RE-ISSUED	R.A.E.	4.2004
ISSUE	AMENDMENT DETAILS	INITIALS	DATE

TWEED SHIRE COUNCIL
DESIGN UNIT

COUNCIL OFFICES
TUMBLGUM ROAD,
MURWILLUMBAH,
NEW SOUTH WALES, 2484

PHONE MURWILLUMBAH 02 66702400
FAX MURWILLUMBAH 02 66727513
WEBSITE www.tweed.nsw.gov.au

DESIGNED	W.B.	2.2004	DESIGN NO.	
DRAWN	J.P.	2.2004	SURVEY NO.	
CHECKED	W.B.	2.2004	REDUCTION RATIO	PH
HORIZONTAL DATUM				E
VERTICAL DATUM				N

PROJECT:	STORMWATER STANDARDS
PLAN TITLE:	FIELD INLET PIT DOME TOP COVER
ACAD FILE No	G:\TSC STANDARD DRAWINGS\S.D.DRAWINGS\100STORMWATER\S.D.108.DWG

DRAWING NUMBER:	S.D.108
SHEET 1 OF 1 SHEETS	ISSUE A B C