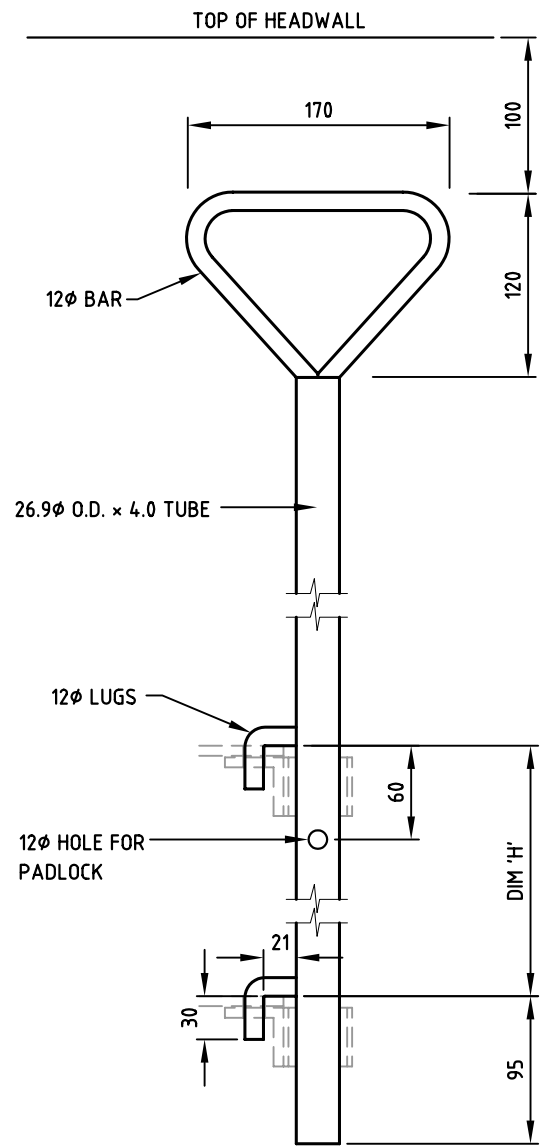


ELEVATION

1:10

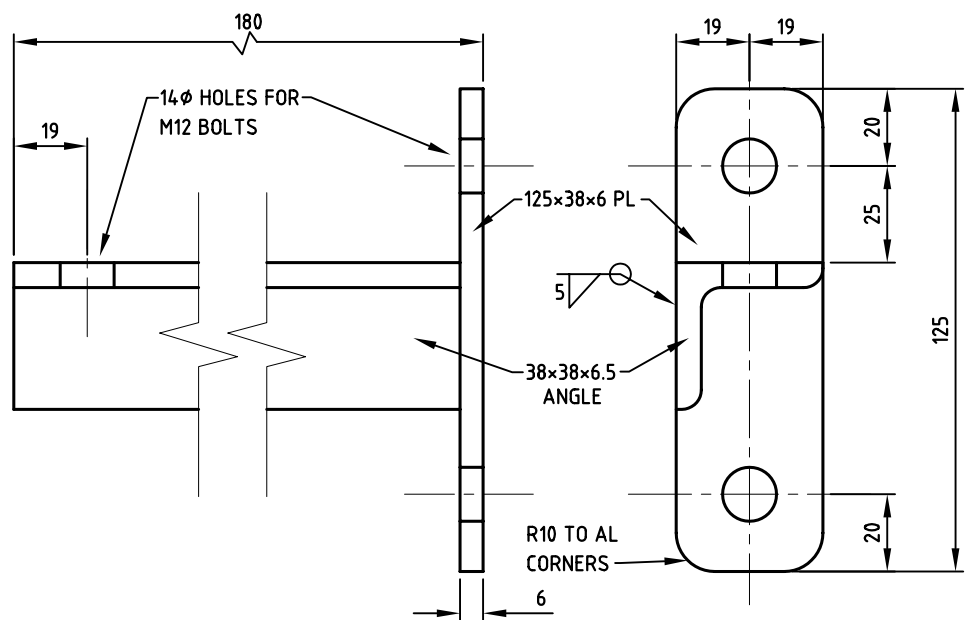
NOTES

- THIS GRATE IS ONLY TO BE INSTALLED WHERE APPROVED OR DIRECTED BY COUNCILS ENGINEER
- ALL GRILLE STEEL TO BE GRADE 250 STRUCTURAL STEEL TO AS 3678 AND AS 3679
- ALL WELDS TO COMPLY WITH AS 1554, WELDING SYMBOLS TO AS 1101.3
- GRILLE & HANDLE TO BE HOT DIP GALVANISED TO AS 1650 AFTER FABRICATION
- GRILLE TO BE HINGED AT THE SIDE & PADLOCKED AT THE OPPOSITE SIDE USING LOCK TO BE SUPPLIED BY COUNCIL
- ALL DIMENSIONS ARE mm UNLESS NOTED OTHERWISE
- ALL BOLTS TO COMPLY WITH AS 1111
- ALL NUTS TO COMPLY WITH AS 1112
- ALL WASHERS TO COMPLY WITH AS 1237
- ALL BOLTS, NUTS & WASHERS TO BE GALVANISED TO AS 1214



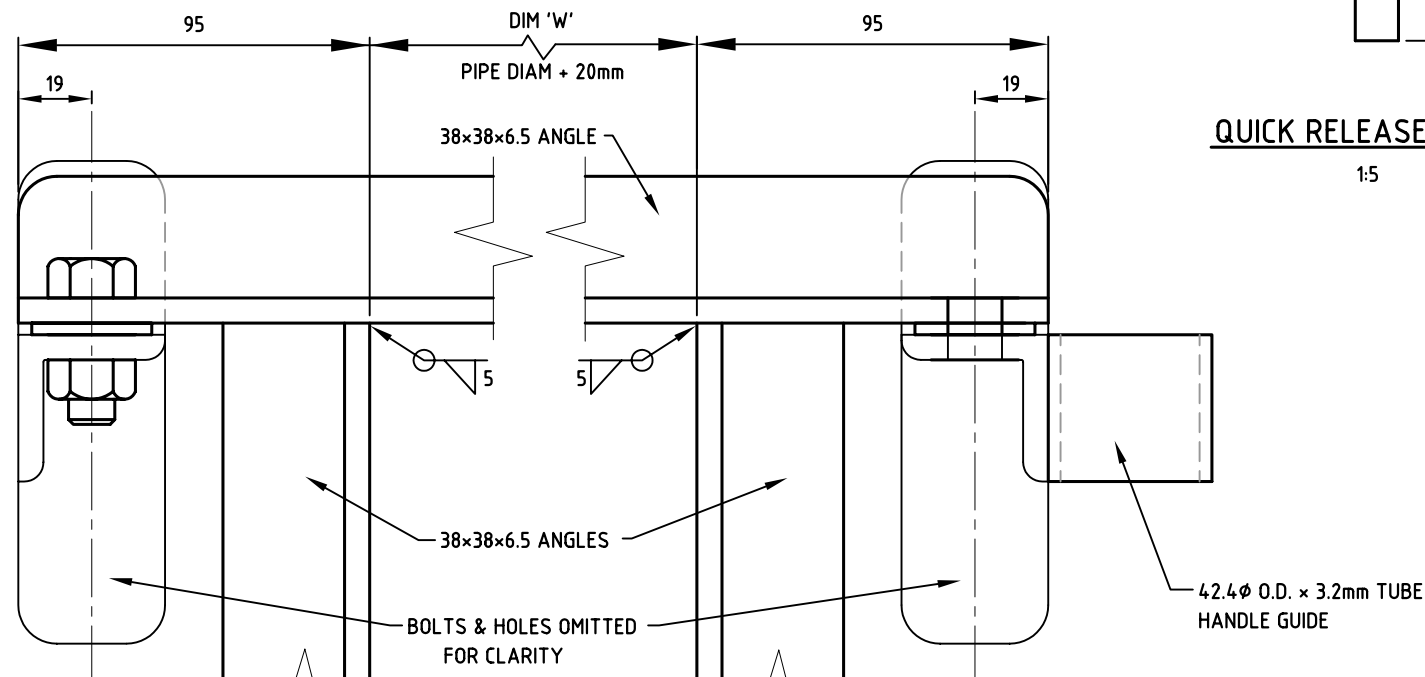
QUICK RELEASE HANDLE

1:5



MOUNTING BRACKET (4 OFF)

1:2



DETAIL 'A'

1:2

DETAIL 'B'

1:2

B	DRAWINGS ADOPTED FOR ISSUE TO PUBLIC	R.A.E.	5.2004
A	RE-ISSUED	R.A.E.	4.2004
ISSUE	AMENDMENT DETAILS	INITIALS	DATE

TWEED SHIRE COUNCIL DESIGN UNIT

COUNCIL OFFICES
TUMBULGUM ROAD,
MURWILLUMBAH,
NEW SOUTH WALES, 2484

PHONE MURWILLUMBAH 02 66702400
FAX MURWILLUMBAH 02 66727513
WEBSITE www.tweed.nsw.gov.au

DESIGN ENGINEER	<i>[Signature]</i>	DATE	5.2004
DESIGN MANAGER	<i>[Signature]</i>	DATE	5.2004
DESIGNED	R.A.E.	2.2004	DESIGN NO.
DRAWN	R.A.E.	2.2004	SURVEY NO.
CHECKED	W.B.	2.2004	PROGRAM NO.
HORIZONTAL DATUM			REDUCTION RATIO
VERTICAL DATUM			

PROJECT: **STORMWATER STANDARDS**

PLAN TITLE: **SECURITY GRATE FOR STORMWATER OUTLETS**

DRAWING NUMBER:	S.D.105
SHEET 1 OF 1 SHEETS	
ISSUE	A B