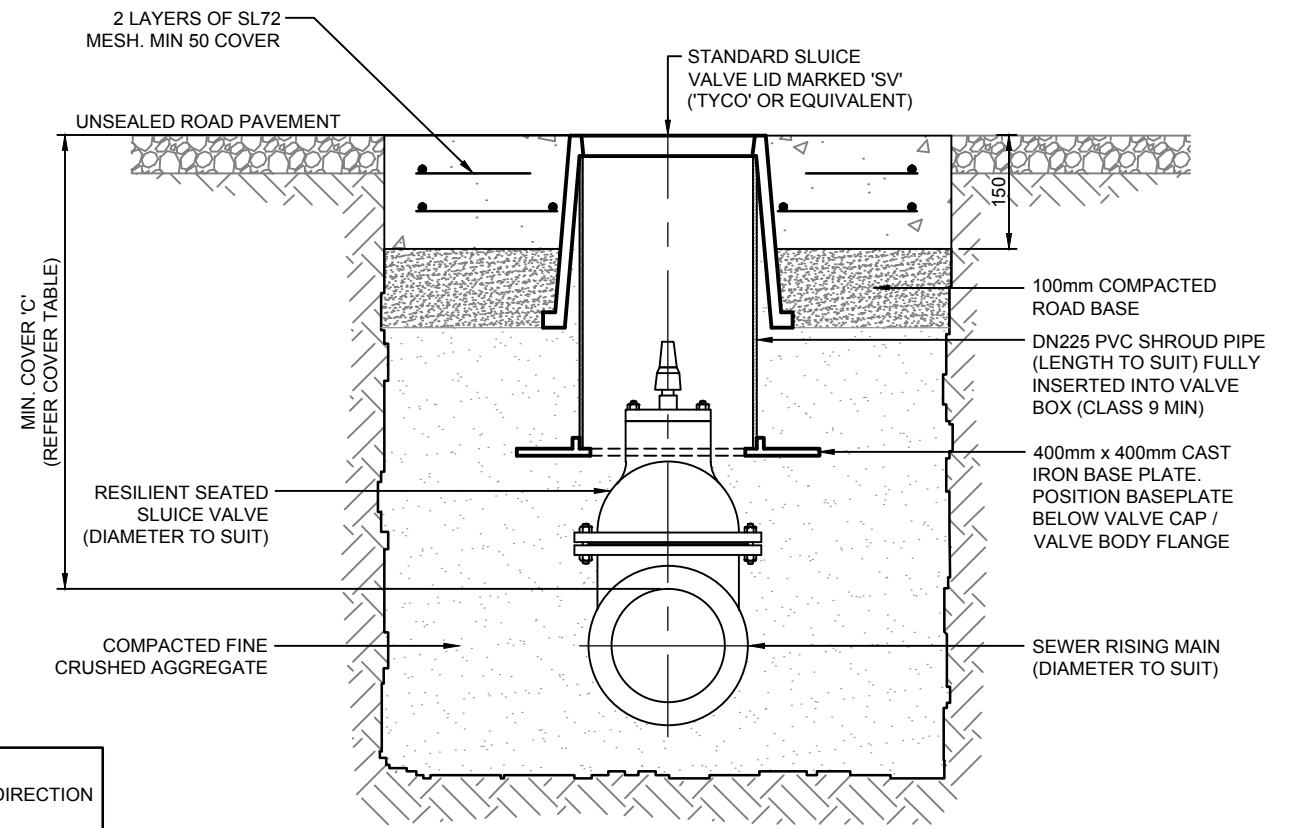
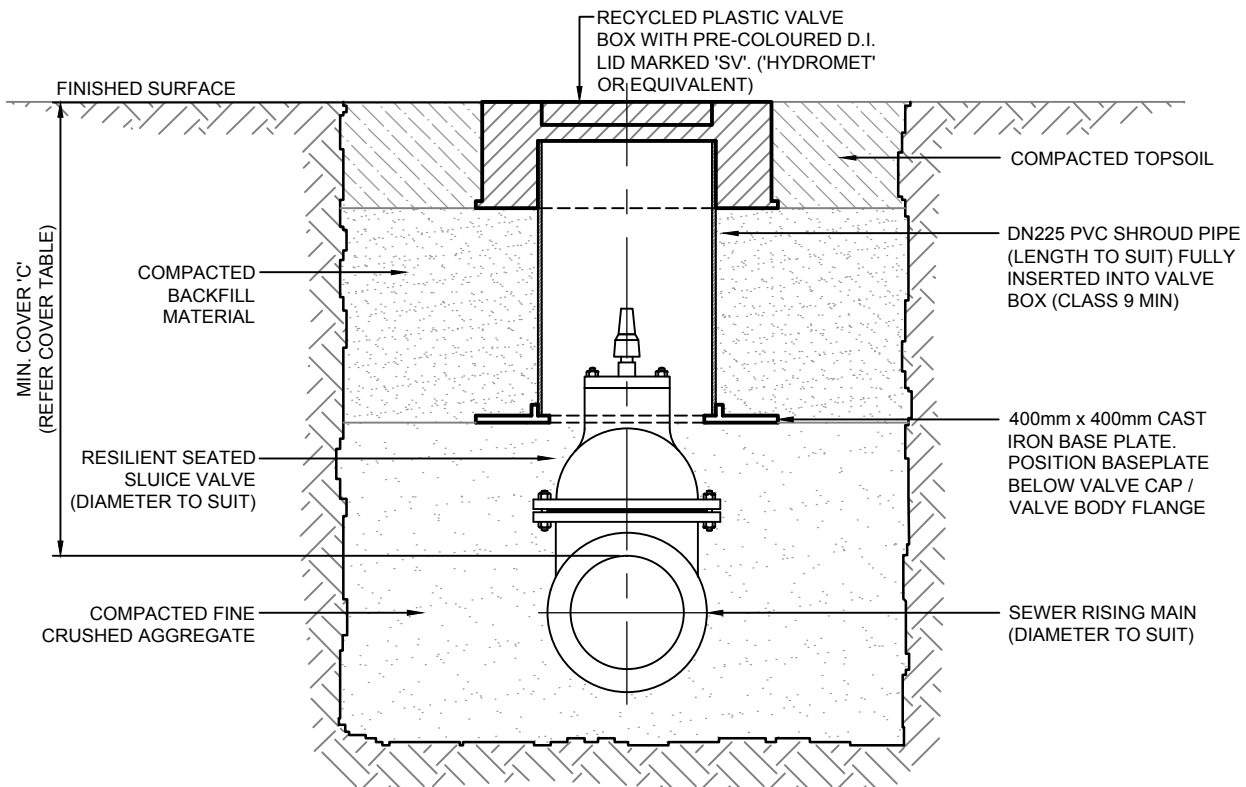


**SLUDGE VALVES (IN SEALED ROAD PAVEMENT)**  
SCALE 1:10 (A3)



**SLUDGE VALVES (IN UNSEALED ROAD PAVEMENT)**  
SCALE 1:10 (A3)

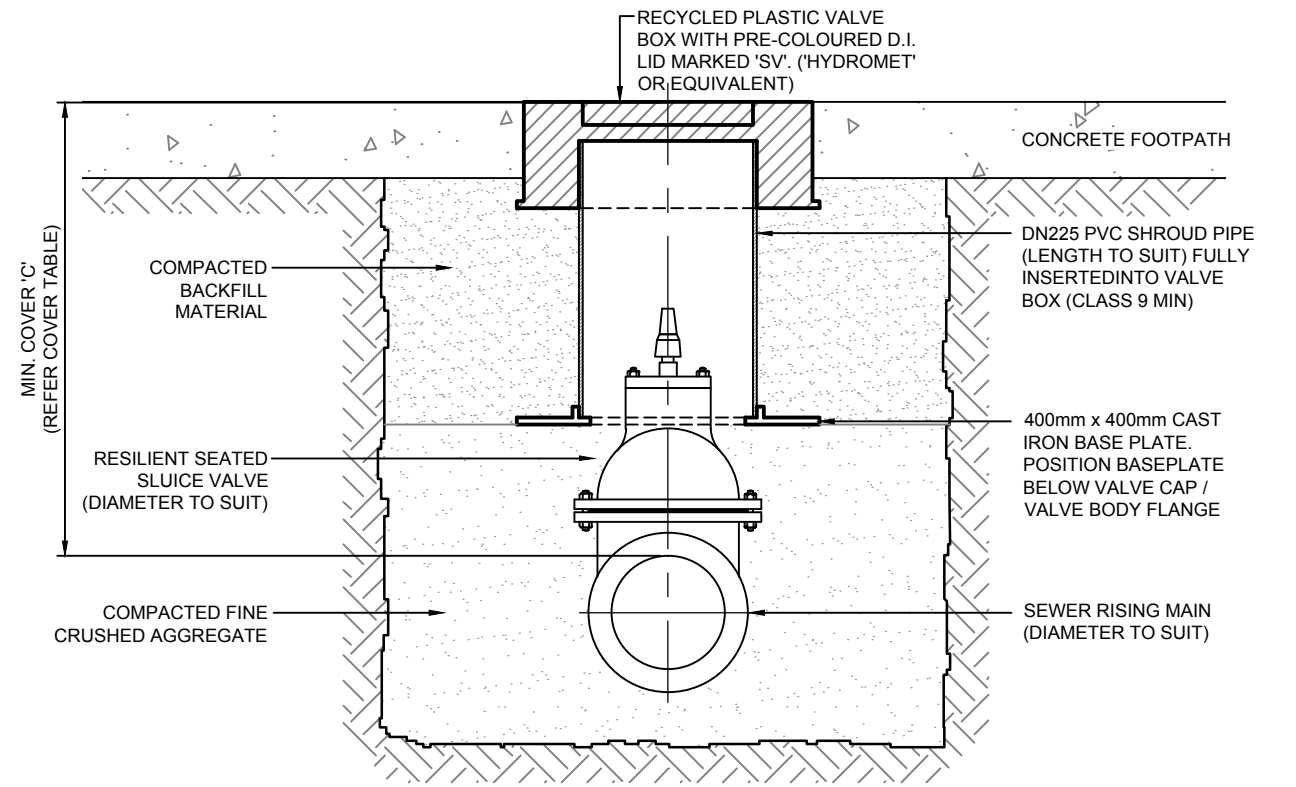
**NOTES:**  
 1. SLUDGE VALVES TO BE CLOCKWISE CLOSING. DIRECTION ARROW TO BE DISPLAYED ON SPINDLE TOP.  
 2. REFER S.D. 316 FOR DETAILS OF VALVE MARKING.  
 3. WHERE DISTANCE BETWEEN VALVE SPINDLE AND TOP OF VALVE BOX IS GREATER THAN 500mm, AN EXTENSION SPINDLE IS TO BE PROVIDED.



**SLUDGE VALVES (WITH NO VEHICULAR LOADING)**  
SCALE 1:10 (A3)

**COVER TABLE**  
(FOR VERTICALLY PLACED VALVES)

VALVE DIAMETER (mm)	MINIMUM COVER 'C' (mm)
100	500
150	550
200	630
250	730
300	810
375	980
450	1160
500	1285
600	1475
750	2000



**SLUDGE VALVES (IN CONCRETE FOOTPATH)**  
SCALE 1:10 (A3)

ISSUE	AMENDMENT DETAILS	INITIALS	DATE
C	NOTES AMENDED & PLAN FORM UPGRADED	G.P.C.	06.2015
B	VALVES IN ROADS & FOOTPATHS, COVERS & NOTES AMENDED	G.P.C.	11.2011
A	ORIGINAL ISSUE	J.P.	05/2006



**DESIGN UNIT**  
 COUNCIL OFFICES  
 TUMBLUGUM ROAD,  
 MURWILLUMBAH,  
 NEW SOUTH WALES 2484  
 PHONE 02 6670 2400  
 FAX 02 6672 7513  
 WEBSITE www.tweed.nsw.gov.au

DESIGN ENGINEER	<i>[Signature]</i> DATE 11.05.15
DESIGN MANAGER	<i>[Signature]</i> DATE 22.05.15
DRAWN	ENGINEERING & OPERATIONS DESIGN UNIT
SCALE	1:10 (A3)

PROJECT:	<b>SEWERAGE WORKS STANDARDS</b>
PLAN TITLE:	<b>SLUDGE VALVE INSTALLATION DETAILS</b>

DRAWING NUMBER:	<b>S.D. 240</b>
	<b>JUNE 2015</b>