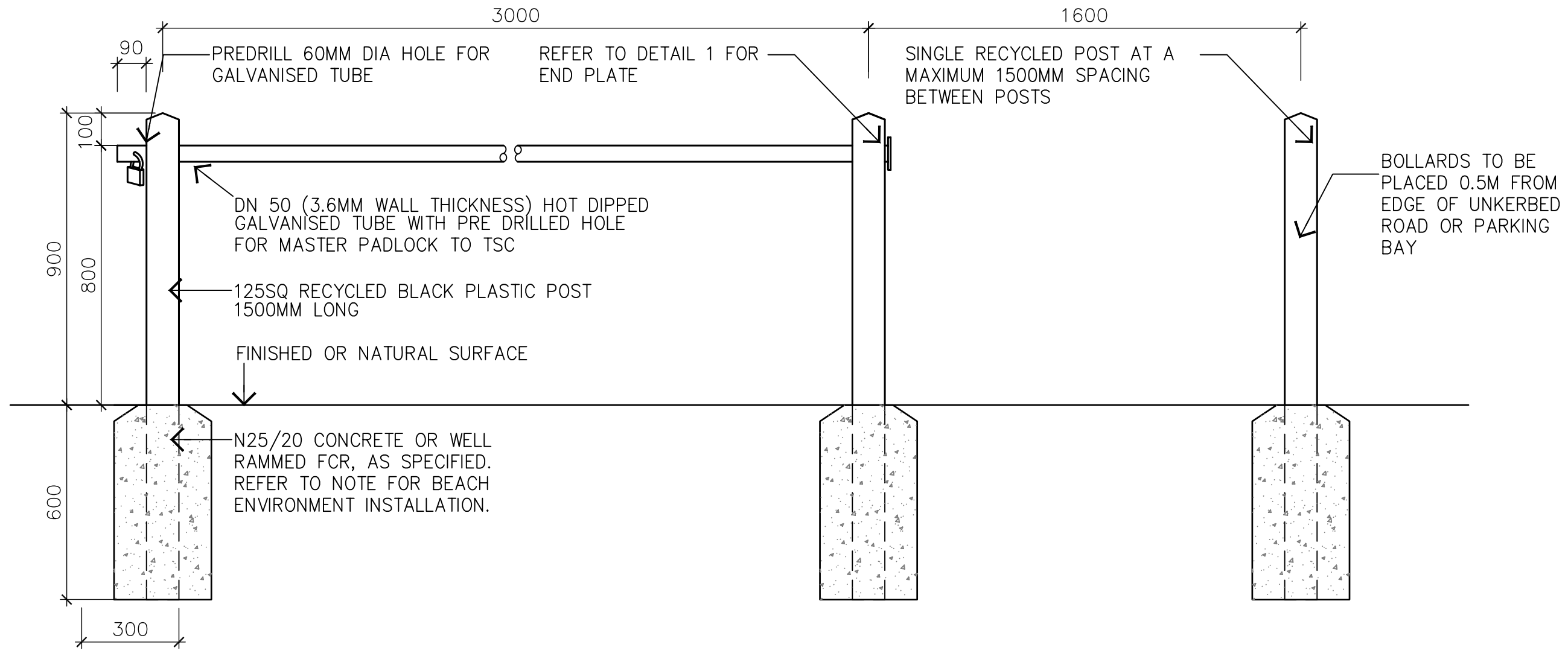
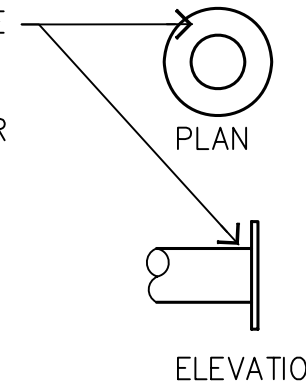


DETAIL 1


FILLET WELD GALV TUBE TO 6MM GALV PLATE
 PREDRILL A 10MM HOLE TO REAR OF PLATE FOR SEEPAGE.



 SECTIONAL ELEVATION 1:20

 INDIVIDUAL BOLLARDS

- * RECYCLED PLASTIC POSTS 125X125X1500 (BLACK) WITH POINTED TOP AVAILABLE THROUGH REPLAS OR SIMILAR APPROVED.
- * ALL STEEL COMPONENTS & FASTENERS SHALL BE HOT DIPPED GALVANISED MIN. COATING THICKNESS AS PER AS.1214 & AS/NZS.4680.
- * FOR POST AND RAIL INSTALLATION WITHIN A BEACH ENVIRONMENT THE MASS CONCRETE FOOTING IS TO BE DELETED AND THE POST EXTENDED INTO THE GROUND A MINIMUM 900MM DEEP. BACKFILL AND COMPACT GRADUALLY WITH THE EXCAVATED SOIL.
- * FOOTINGS TO BE CLEAR OF W & S ASSETS.

		 TWEED SHIRE COUNCIL DESIGN UNIT COUNCIL OFFICES TUMBULGUM ROAD, MURWILLUMBAH, NEW SOUTH WALES, 2484		DESIGN ENGINEER <i>T.B.H.</i> DATE 8.2008 CHECKING ENGINEER <i>[Signature]</i> DATE 8.2008		PROJECT: LANDSCAPING STANDARDS DRAWING NUMBER: S.D.704	
				PHONE MURWILLUMBAH 02 66702400 FAX MURWILLUMBAH 02 66727513 WEBSITE www.tweed.nsw.gov.au		DESIGN NO. _____ SURVEY NO. _____ REDUCTION RATIO _____ HORIZONTAL DATUM _____ VERTICAL DATUM _____	
A ORIGINAL ISSUE I.B. 8.2008 ISSUE AMENDMENT DETAILS INITIALS DATE						ACAD FILE No TSC STANDARD DRAWINGS\S.D.DRAWINGS\700LANDSCAPING\S.D.704	