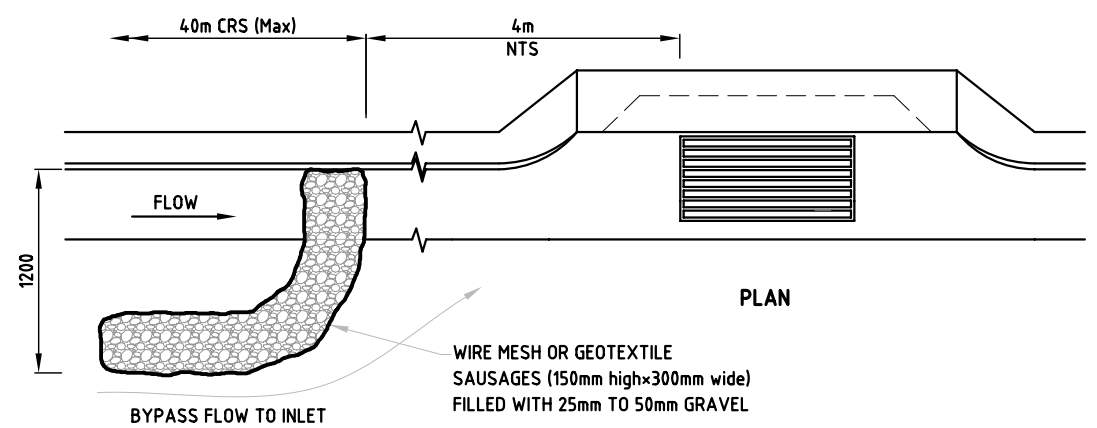
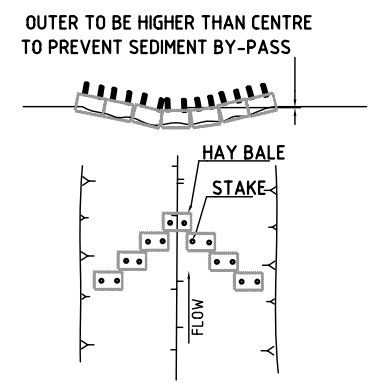


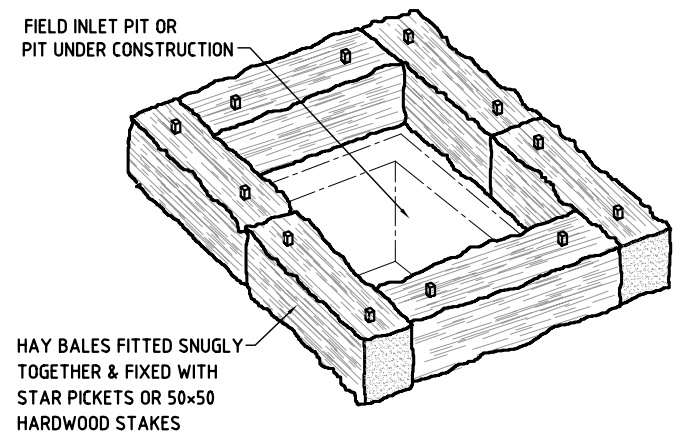
**MESH & GRAVEL INLET FILTER-SAG GULLY**  
NOT TO SCALE



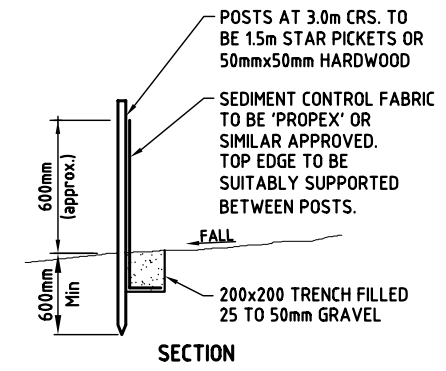
**MESH & GRAVEL INLET FILTER-GRADE GULLY**  
NOT TO SCALE



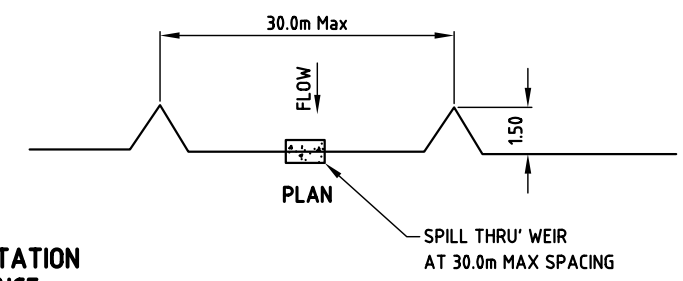
**SEDIMENT CONTROL FOR OPEN CHANNELS**  
REFER ALSO TO HAY BALE FIXING DETAIL N.T.S.



**HAY BALE PIT SURROUND**  
REFER ALSO TO HAY BALE FIXING DETAIL NOT TO SCALE

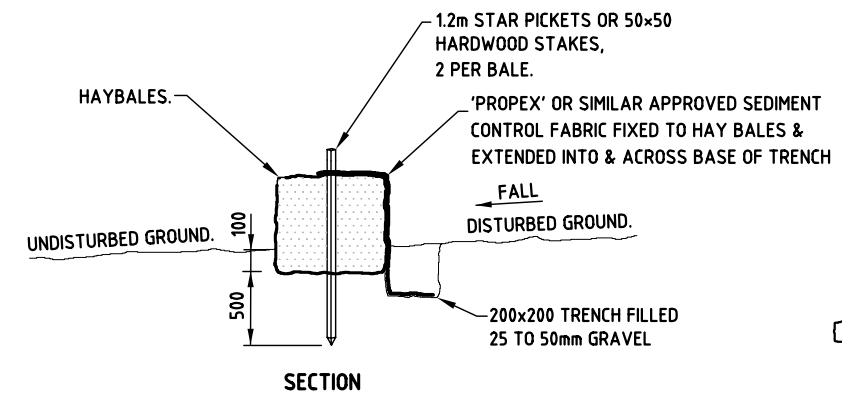


**TEMPORARY SILTATION CONTROL FENCE**  
N.T.S.

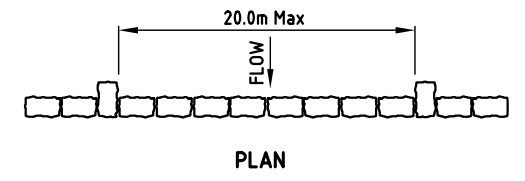


**EROSION & SILTATION PREVENTION NOTES**

- 1 ALL EROSION & SEDIMENT CONTROLS SHALL BE DESIGNED, INSTALLED & MAINTAINED IN ACCORDANCE WITH TWEED SHIRE COUNCILS DEVELOPMENT DESIGN SPECIFICATION D7- STORMWATER QUALITY, & ITS ANNEXURE A - CODE OF PRACTICE FOR SOIL & WATER MANAGEMENT ON CONSTRUCTION SITES.
- 2 CONSTRUCTION WORKS ARE TO BE MANAGED SUCH THAT AREAS OUTSIDE THE SCOPE OF WORKS REMAIN UNDISTURBED WHERE POSSIBLE
- 3 ALL SILTATION & EROSION CONTROL DEVICES SHALL BE INSTALLED PRIOR TO THE COMMENCEMENT OF ANY EXCAVATION WORKS (THE EXTENT OF THE DEVICES MAY BE VARIED FROM THAT SHOWN ON THE DESIGN PLANS TO SUIT STAGED CONSTRUCTION)
- 4 THE DEVICES SHALL BE MAINTAINED IN PLACE UNTIL ALL WORKS ARE COMPLETED & TURF OR GRASSING HAS BECOME ESTABLISHED
- 5 DURING CONSTRUCTION, ALL STORMWATER PITS SHALL BE PROTECTED USING HAY BALE PIT SURROUNDS WHICH SHALL BE MAINTAINED IN PLACE UNTIL CONSTRUCTION OF LINTEL/GRATE COMMENCES.
- 6 FOLLOWING COMPLETION OF LINTEL/GRATE, GULLYS ARE TO BE PROTECTED USING MESH & GRAVEL INLET FILTER, WHICH SHALL BE MAINTAINED IN PLACE UNTIL ALL UPSTREAM WORKS ARE COMPLETED & ESTABLISHED
- 7 ALL BATTERS & REINSTATEMENT WORKS ADJACENT NEW CONSTRUCTION WORKS SHALL BE CARRIED OUT AS SOON AS POSSIBLE AFTER COMPLETION
- 8 ALL DISTURBED AREAS & BATTERS SHALL BE TURFED OR GRASSED AS SOON AS PRACTICAL AFTER REINSTATEMENT
- 9 PROVIDE HAY BALE BARRIERS ADJACENT THE OUTLET OF ALL STORMWATER DRAINS FOR THE DURATION OF CONSTRUCTION & ESTABLISHMENT
- 10 ALL DEVICES SHALL BE INSPECTED REGULARLY AND AFTER ALL SIGNIFICANT STORM EVENTS & CLEANED, REPAIRED OR REPLACED AS REQUIRED
- 11 SAFETY ISSUES MUST BE CONSIDERED AT ALL TIMES. INCORPORATE TRAFFIC CONTROL DEVICES WHERE REQUIRED.



**HAY BALE FIXING DETAIL**  
N.T.S.



C	NOTE 1 & SILT FENCE SPILL THRU WEIR ADDED	R.A.E.	21.7.04
B	DRAWINGS ADOPTED FOR ISSUE TO PUBLIC	R.A.E.	5.2004
A	RE-ISSUED	R.A.E.	4.2004
ISSUE	AMENDMENT DETAILS	INITIALS	DATE

**TWEED SHIRE COUNCIL**  
DESIGN UNIT

COUNCIL OFFICES  
TUMBULGUM ROAD,  
MURWILLUMBAH,  
NEW SOUTH WALES, 2484

PHONE MURWILLUMBAH 02 66702400  
FAX MURWILLUMBAH 02 66727513  
WEBSITE www.tweed.nsw.gov.au

DESIGN ENGINEER	DATE	6.2003	
CHECKING ENGINEER	DATE	6.2003	
DESIGNED	R.A.E.	2.2004	DESIGN NO.
DRAWN	R.A.E.	2.2004	SURVEY NO.
CHECKED	W.B.	2.2004	REDUCTION RATIO
HORIZONTAL DATUM	COORDS ADOPTED	PM	E
VERTICAL DATUM			N

PROJECT: EROSION CONTROL STANDARDS

PLAN TITLE: EROSION & SILTATION PREVENTION DEVICES SHEET 1

ACAD FILE No: \\_TSC STANDARD DRAWINGS\S.D.DRAWINGS\500EROSION CONTROL\S.D.501.dwg

DRAWING NUMBER:	<b>S.D.501</b>
SHEET	1 OF 1 SHEETS
ISSUE	A B C