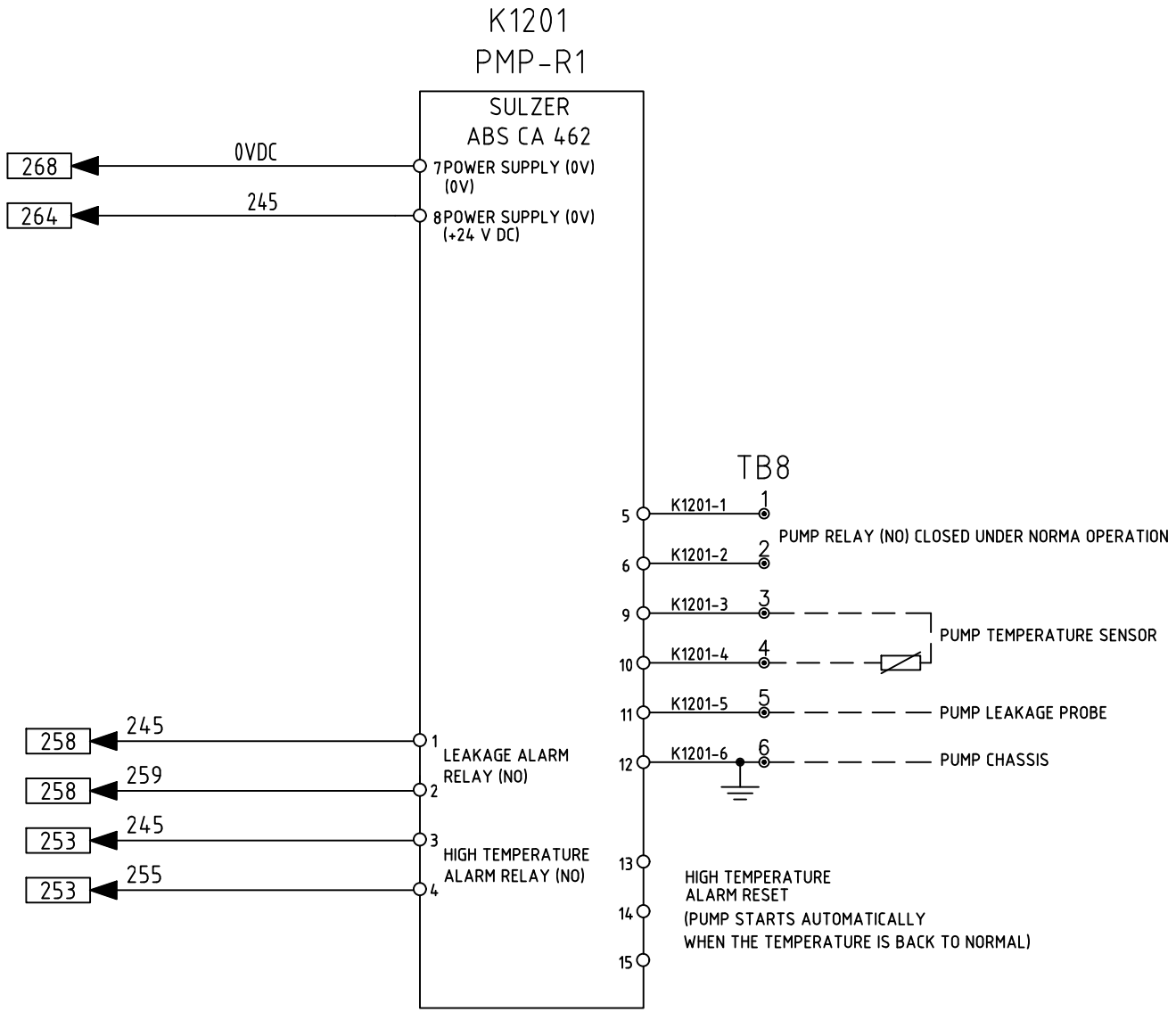
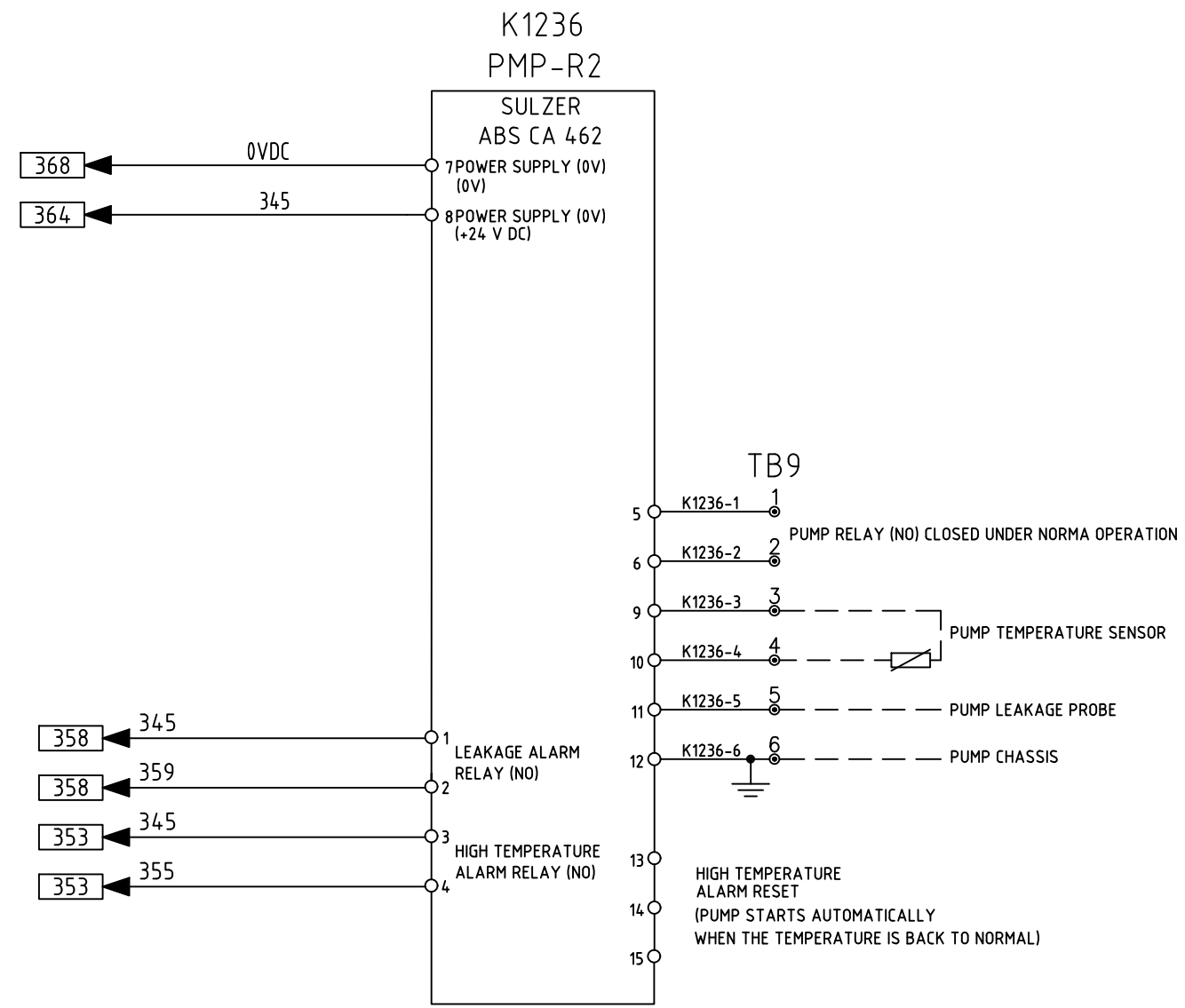


1200
1201
1202
1203
1204
1205
1206
1207
1208
1209
1210
1211
1212
1213
1214
1215
1216
1217
1218
1219
1220
1221
1222
1223
1224
1225
1226
1227
1228
1229
1230
1231
1232
1233
1234



1235
1236
1237
1238
1239
1240
1241
1242
1243
1244
1245
1246
1247
1248
1249
1250
1251
1252
1253
1254
1255
1256
1257
1258
1259
1260
1261
1262
1263
1264
1265
1266
1267
1268
1269



ISSUE	AMENDMENT DETAILS	Drawn	Checked	Approved	Date
00	ORIGINAL ISSUE	NG	NC	NC	19/12/17
01	CORRECTION AS PER CUSTOMER COMMENT	NG	NC	NC	16/01/18
02	AS CONSTRUCTED	GH	NG	NC	13/02/18
03	ADDED TO STANDARD DRAWINGS SET	M.T	P.B	J.G	15/07/20

ELECTRICAL UNIT

COUNCIL OFFICES
ALTONA ROAD,
CUDDGEN NSW 2487.

PHONE 02 66740342
FAX 02 66741069
WEBSITE www.tweed.nsw.gov.au



DESIGNED:	NASIM GHORBANPOUR	PROJECT:	SEWAGE PUMP STATIONS ELECTRICAL STANDARD DRAWINGS		DRAWING NUMBER: SD-820F/12
DRAWN:	NASIM GHORBANPOUR				
APPROVED:	NEIL COOK	PLAN TITLE:	PROPRIETARY MOTOR PROTECTION UNITS SULZER CA 462		SHEET 12 OF 19
SCALE	NTS		REV	03	
ACAD FILE No.:					