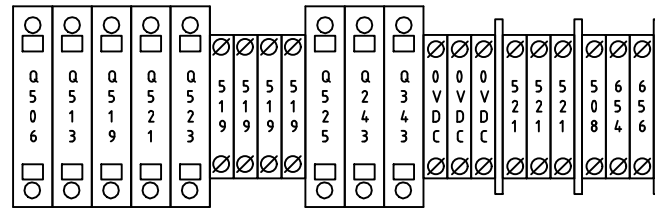
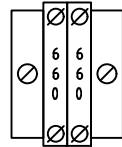


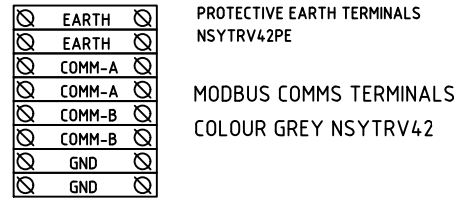
ELV CB & TERMINAL GA TB7



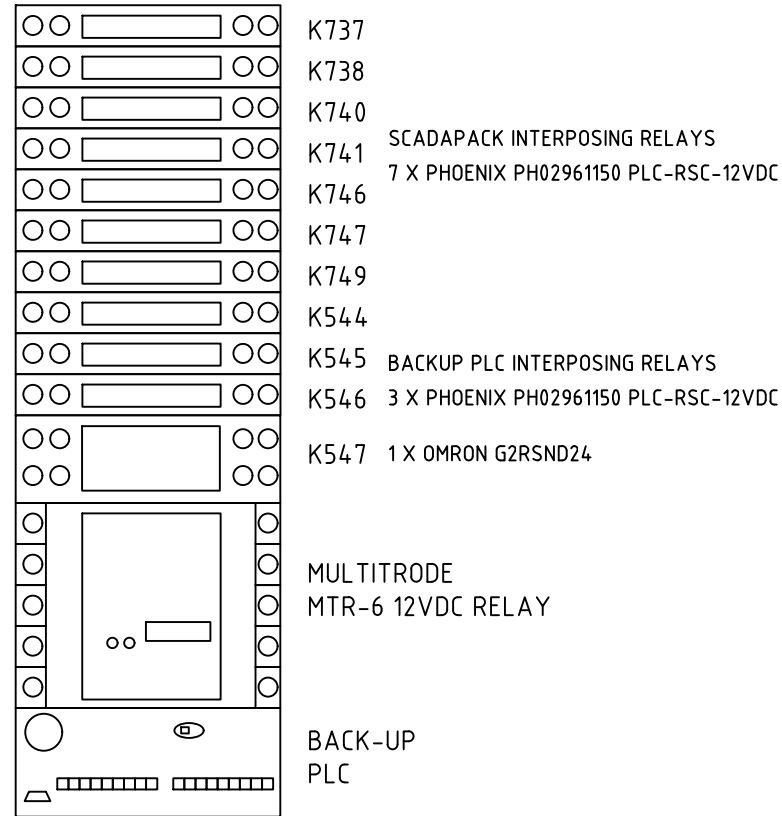
BACKUP CTRL
PRESET SPEED REF
TB8



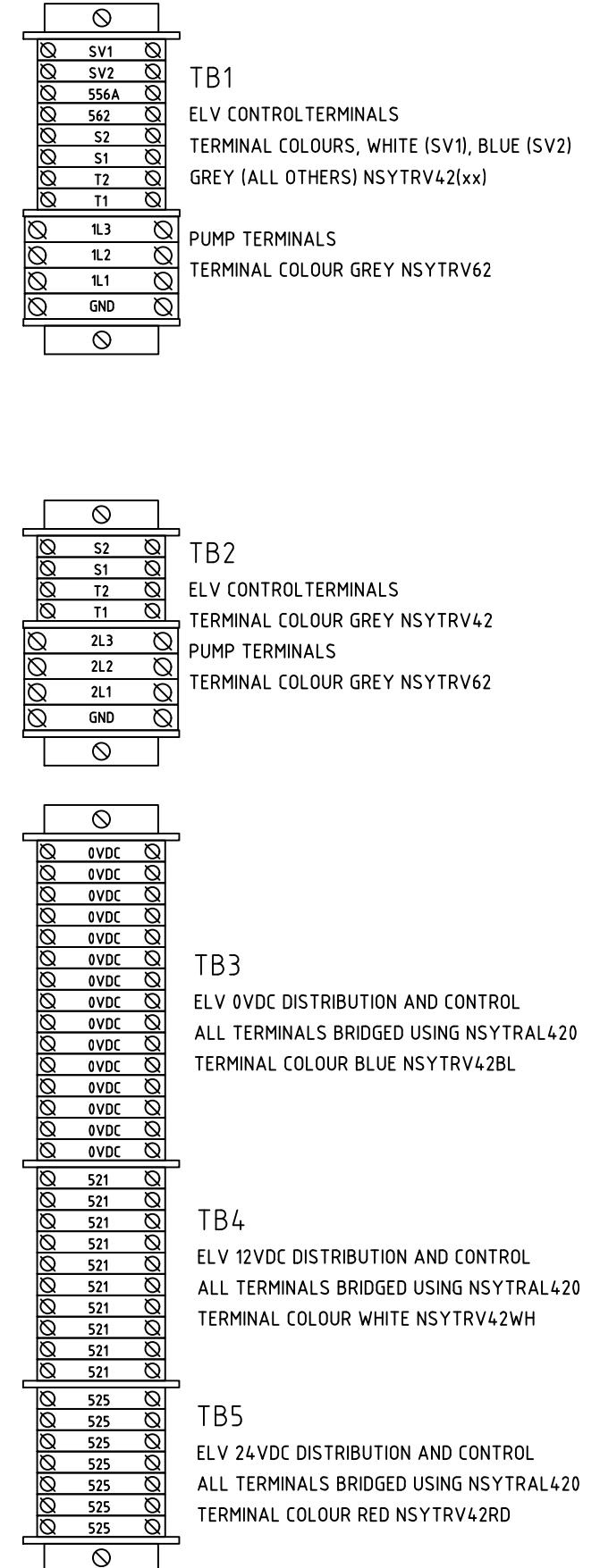
TERMINAL GA TB6



CONTROL RELAY GA



TERMINAL GA



MINIMUM CONTROL TERMINAL SIZE NSYTRV42
MINIMUM EARTH TERMINAL SIZE NSYTRV42PE
MOTOR TERMINALS TO BE SIZED TO THE MOTOR LEADS. (MINIMUM NSYTRV62, NSYTRV62PE)

ISSUE	AMENDMENT DETAILS	Drawn	Checked	Approved	Date
00	ORIGINAL ISSUE			D.F	3.8.12
01	AMENDED ISSUE RELEASED FOR PUBLICATION	E.K	P.B	D.F	13.08.13
02	AMENDED PART NO.S AND LAYOUT	E.K	P.B	D.F	27.04.15
03	AMENDED PART NO.S, AMENDED SPELLING MISTAKE	P.B	D.R	J.G	20.08.20



ELECTRICAL UNIT
COUNCIL OFFICES
ALTONA ROAD,
CUDDGEN NSW 2487.
PHONE 02 66740342
FAX 02 66741069
WEBSITE www.tweed.nsw.gov.au

DESIGNED:	<i>[Signature]</i>
DRAWN:	<i>[Signature]</i>
APPROVED:	<i>[Signature]</i>
SCALE	NTS
ACAD FILE No.:	

PROJECT:	SEWAGE PUMP STATIONS ELECTRICAL STANDARD DRAWINGS
PLAN TITLE:	TERMINAL ARRANGEMENT & CONTROL GA

DRAWING NUMBER: SD-820/17	
SHEET	17 OF 19
REV	03
DATE	20/08/2020