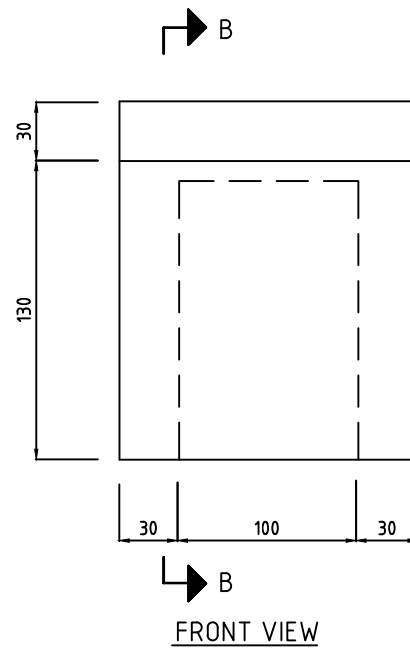
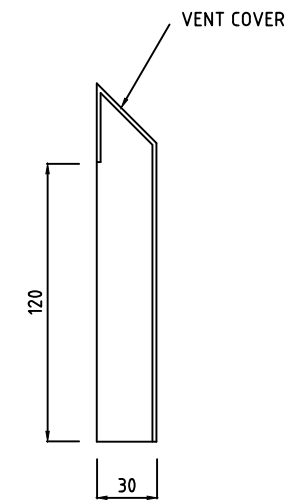


INSECT SCREEN

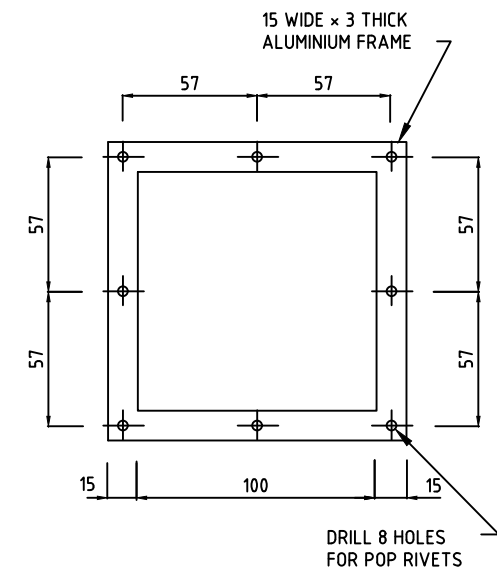


FRONT VIEW

VENT COVER DETAILS



SECTION B-B



INSECT SCREEN FRAME

ISSUE	AMENDMENT DETAILS	Drawn	Checked	Approved	Date
00	ORIGINAL ISSUE			D.F	3.8.12
01	AMENDED ISSUE RELEASED FOR PUBLICATION	E.K	P.B	D.F	13.08.13
02	SHEET NAME UPDATE	P.B	D.R	J.G	20.08.20



**TWEED**  
SHIRE COUNCIL

**ELECTRICAL UNIT**

COUNCIL OFFICES  
ALTONA ROAD,  
CUDDGEN NSW 2487.  
PHONE 02 66740342  
FAX 02 66741069  
WEBSITE www.tweed.nsw.gov.au

DESIGNED:	<i>JA</i>
DRAWN:	<i>edh</i>
APPROVED:	<i>J.G</i>
SCALE	NTS
ACAD FILE No.:	

PROJECT:	SEWAGE PUMP STATIONS ELECTRICAL STANDARD DRAWINGS
PLAN TITLE:	SWITCHBOARD CABINET DETAILS SHEET 2 OF 3

DRAWING NUMBER:	
SD-820/15	
SHEET	15 OF 19
REV	02
DATE	20/08/2020