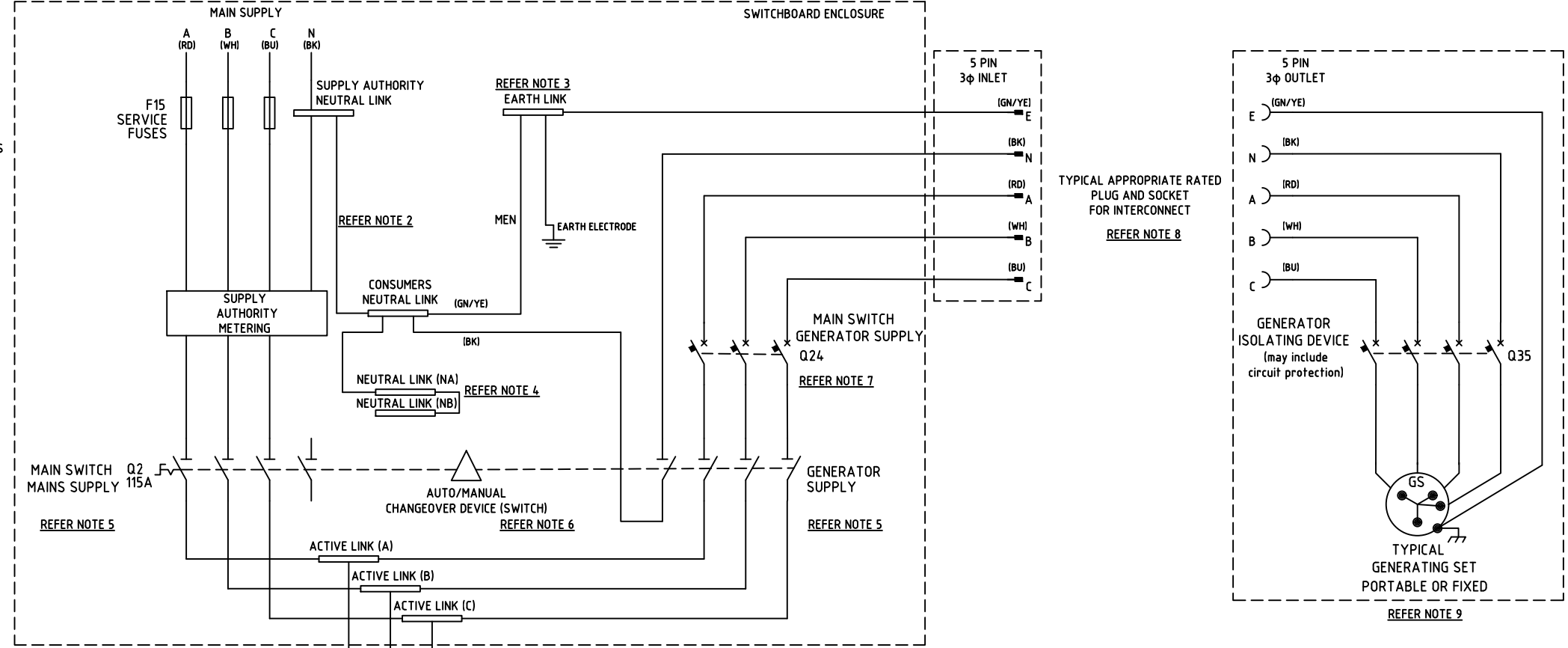
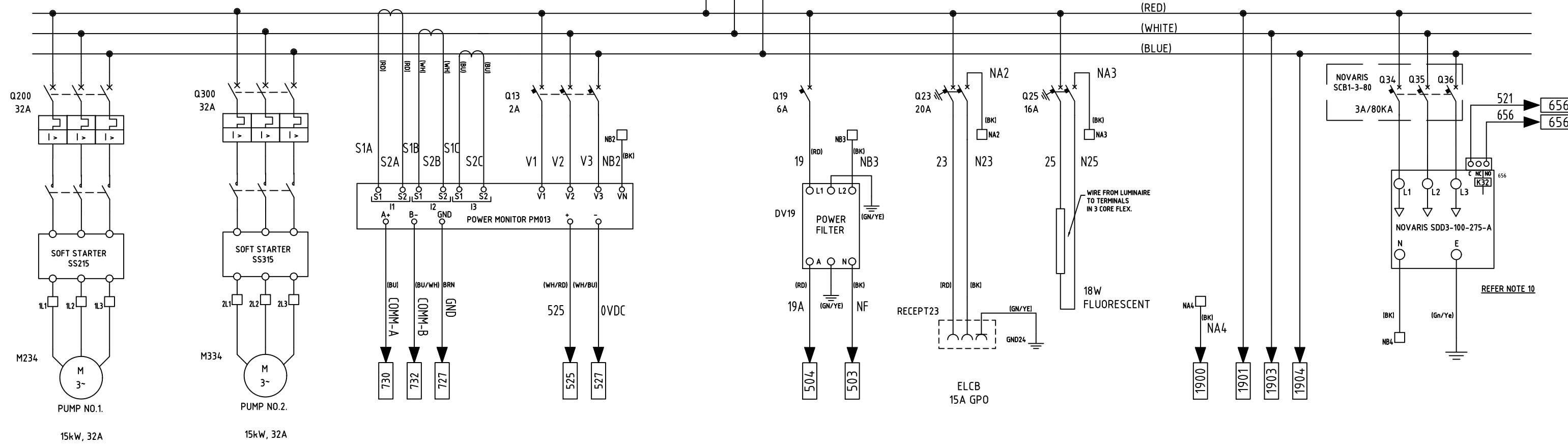


- NOTE 1: TYPICAL INCOMING SUPPLY FOR PORTABLE/PERMANENT GENERATOR SET WITH EXTERNAL SUPPLY TERMINATION. SITE SPECIFIC DRAWINGS MAY BE USED UPON APPROVAL.
- NOTE 2: CONDUCTOR BETWEEN SUPPLY AUTHORITY NEUTRAL LINK AND CONSUMERS NEUTRAL LINK MUST BE AS PER AS3000:2018 3.5.2(b) (ii) or MINIMUM 16mm² WHICHEVER IS GREATER
- NOTE 3: ALL BACKING PLATES IN ENCLOSURES TO BE ELECTRICALLY EARTHED (NOT SHOWN)
- NOTE 4: NEUTRAL LINKS NA & NB ARE LOCATED WITHIN CONTROL DISTRIBUTION MODULE BELOW, REFER TO NEUTRAL NUMBERING ON PROTECTIVE DEVICES/EQUIPMENT BELOW.
- NOTE 5: LABELLING OF CHANGE OVER TERMINALS HAS TO BE AS TO AS3010:2017 2.7.8 - TERMINALS OF CHANGEOVER DEVICES SHALL ALSO BE PROVIDED WITH MARKING TO INDICATE THE SOURCES OF SUPPLY. ON PERMANENT GENERATOR CONNECTIONS, THE NEUTRAL SHALL NOT BE SWITCHED AS PER AS3010 2.7.10.1
- NOTE 6: REFERENCE FOR CHANGEOVER DEVICE, AS3000:2018 FIGURE 7.6, AS3010:2017 FIGURE 4.2, SERVICE AND INSTALLATION RULES OF NSW 2018. AUTOMATIC CHANGEOVER DEVICE CONTROLS NOT SHOWN.
- NOTE 7: Q24 SHALL INCLUDE OVERCURRENT PROTECTION RATED TO SUIT THE GENERATOR INPUT SOCKET AND CURRENT CARRYING CAPACITY OF THE CABLE. THE OPERATING CURRENT OF Q24 SHALL NOT EXCEED THE RATING OF THE INLET OR THE SUPPLY CONDUCTORS REF AS3010:2017 4.2.4.
- NOTE 8: INLET AND OUTLET NOT REQUIRED ON PERMANENT GENERATOR INSTALLATIONS. INLET AND OUTLET RATED APPROPRIATELY TO SUPPLY NEEDS MUST BE ONE OF THE FOLLOWING 32A/50A CLIPSAL OR ANYTHING ABOVE 50A SHALL BE MARECHAL 150A PORTABLE GENERATOR INLET MARKING SHALL BE AS AS3010:2017 4.2.6, CONNECT ONLY ISOLATED OUTPUT GENERATOR SET(S), RCD PROTECTED & CENTRE TAPPED GENERATING SETS SHALL NOT BE CONNECTED.
- NOTE 9: EARTHING AND BONDING FOR PERMANENT SHALL BE AS PER AS3010:2017 2.8 AND AS3010:2017 4.3. NO NEUTRAL TO FRAME CONNECTION SHALL BE PERMITTED AS3010:2017 2.8.3
- NOTE 10: ALL CABLING (ACTIVE/NEUTRAL/EARTH) NEEDS TO BE MINIMUM 6mm² TO AND FROM NOVARIIS SURGE DIVERTER



REFER NOTE 1 - ABOVE THIS LINE



PUMP No.1. MODULE
15kW TYPICAL
USE ACTUAL PUMP RATING
FOR CONSTRUCTION.

PUMP No.2. MODULE
15kW TYPICAL
USE ACTUAL PUMP RATING
FOR CONSTRUCTION.

RTU MODULE **CONTROL DISTRIBUTION MODULE** **MHL DOSING** **SURGE ARRESTOR MODULE**

ISSUE	AMENDMENT DETAILS	Drawn	Checked	Approved	Date
00	ORIGINAL ISSUE			D.F	03.08.12
01	AMENDED ISSUE RELEASED FOR PUBLICATION	E.K	P.B	D.F	13.08.13
02	POWER MONITOR GND ADDED	C.N	P.B	D.F	12.07.18
03	MHL REFERENCES ADDED	C.N	P.B	D.F	12.07.18
04	CIRCUIT PROTECTION ADDED FOR NOVARIIS SURGE	C.N	P.B	D.F	12.07.18
05	CHANGED MAIN SWITCH ARRANGEMENT, REMOVED SWITCHED NEUT	P.B	D.R	J.G	15.07.20

ELECTRICAL UNIT

COUNCIL OFFICES
ALTONA ROAD,
CUDGEN NSW 2487.

PHONE 02 66740342
FAX 02 66741069
WEBSITE www.tweed.nsw.gov.au

DESIGNED:	
DRAWN:	
APPROVED:	
SCALE	NTS
ACAD FILE No.:	

PROJECT:	SEWAGE PUMP STATIONS ELECTRICAL STANDARD DRAWINGS
PLAN TITLE:	INCOMING SUPPLY AND POWER DISTRIBUTION

DRAWING NUMBER: SD-820/01	
SHEET	01 OF 19
REV	05
DATE	15/07/2020