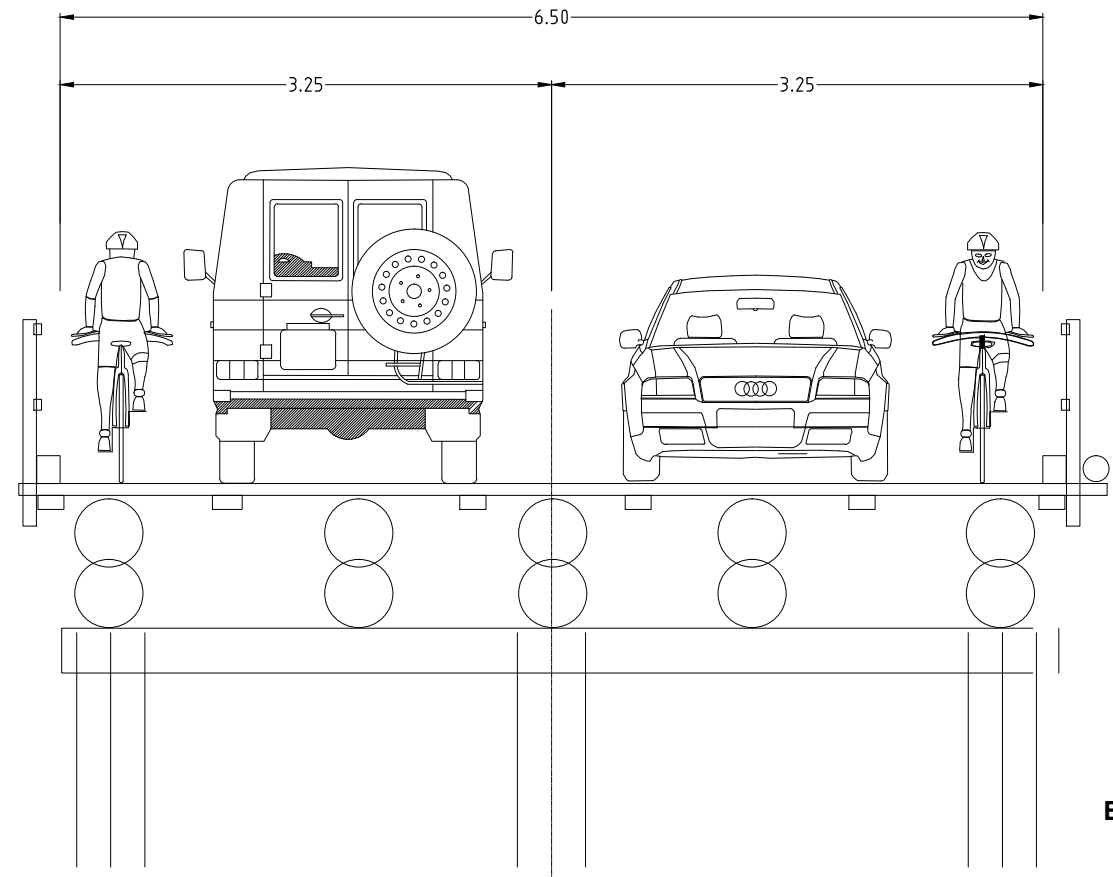


PROPOSED CONCRETE BRIDGE



EXISTING TIMBER BRIDGE

**PRELIMINARY
NOT FOR CONSTRUCTION**



DESIGN UNIT

COUNCIL OFFICES
TUMBULGUM ROAD,
MURWILLUMBAH NSW 2484.
PHONE 02 66702400
FAX 02 66727513
WEBSITE www.tweed.nsw.gov.au



DESIGNED	J.M.M.	04.12.14	COORDS ADOPTED	
DRAWN	J.M.M.	04.12.14	EASTING	
CHECKED	I.K.	04.12.14	NORTHING	
HORIZONTAL DATUM	MGA		R.L.	
VERTICAL DATUM	AHD			

PROJECT: **REPLACEMENT OF ANTHONYS BRIDGE**

PLAN TITLE: **COMPARISON OF TRAFFICABLE WIDTH**

PROJECT NUMBER: **ROA46**

DRAWING NUMBER: **SKETCH 12**
ISSUE: **A**